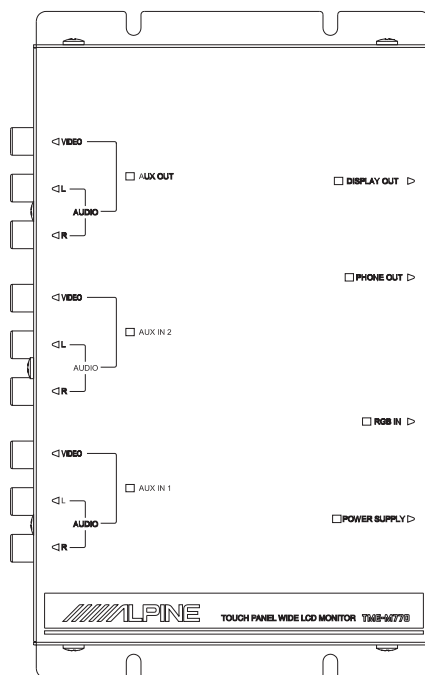
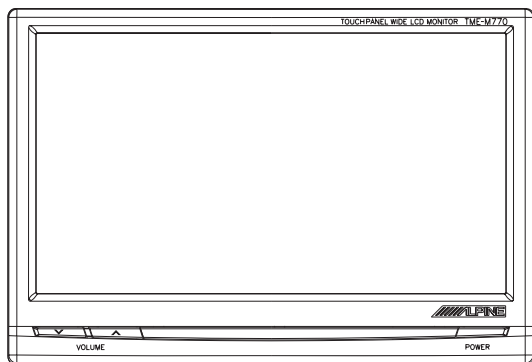




# SERVICE MANUAL

## 6.5-INCH TOUCH PANEL WIDE LCD MONITOR

\* The model is component system unit of MONITOR Unit and AV Interface Unit.



8/04-A  
68E37328S01



# TME-M770

## <Cautions for Safe Repair Work>



The following cautions will prevent accidents in the workplace and will ensure safe products.

\*The symbols indicate caution is needed to prevent injuries and damage to property.



The symbols and their meanings follow.

 <b>Warning</b>	If you ignore this symbol and handle the product incorrectly or unsafely, serious injury or death may result.
 <b>Caution</b>	If you ignore this symbol and handle the product incorrectly or unsafely, injury or only material damage may result.



\*The following symbols indicate two levels of cautions.



 When you see this symbol, you have to be very careful.	
 When you see this symbol, you have to follow the instructions there.	



### **Warning**

 <b>Do not look squarely into the laser light coming from the pickup.</b> You may lose your sight.	 <b>Fuse Caution</b> Always use a designated fuse. Use of an incorrect fuse may result in a fire.
--	--

### **Caution**

 <b>Do not allow wiring to be caught in the screw/chassis.</b> If wiring is caught in the screw/chassis, it may cause a short circuit, resulting in a fire.	 <b>Battery Caution</b> Use the designated battery. Confirm the correct polarity and seat of the battery. An incorrect battery or an improperly connected or seated battery may result in a fire.
---	---

 <b>High Temperature Caution</b> Touching the heat sink may cause severe burns.	 <b>Designated Parts Caution</b> Look up the part list and ensure that only designated parts are used to prevent problems or accidents.
---	---

 <b>Reverse Power Supply Connections or Misconnections Caution</b> Reverse power supply connections or misconnections may cause ignition problems and smoke may result.	 <b>Wiring Caution</b> Ensure that the wiring is correct when rewiring to prevent problems with ignition/breakdown.
---	---

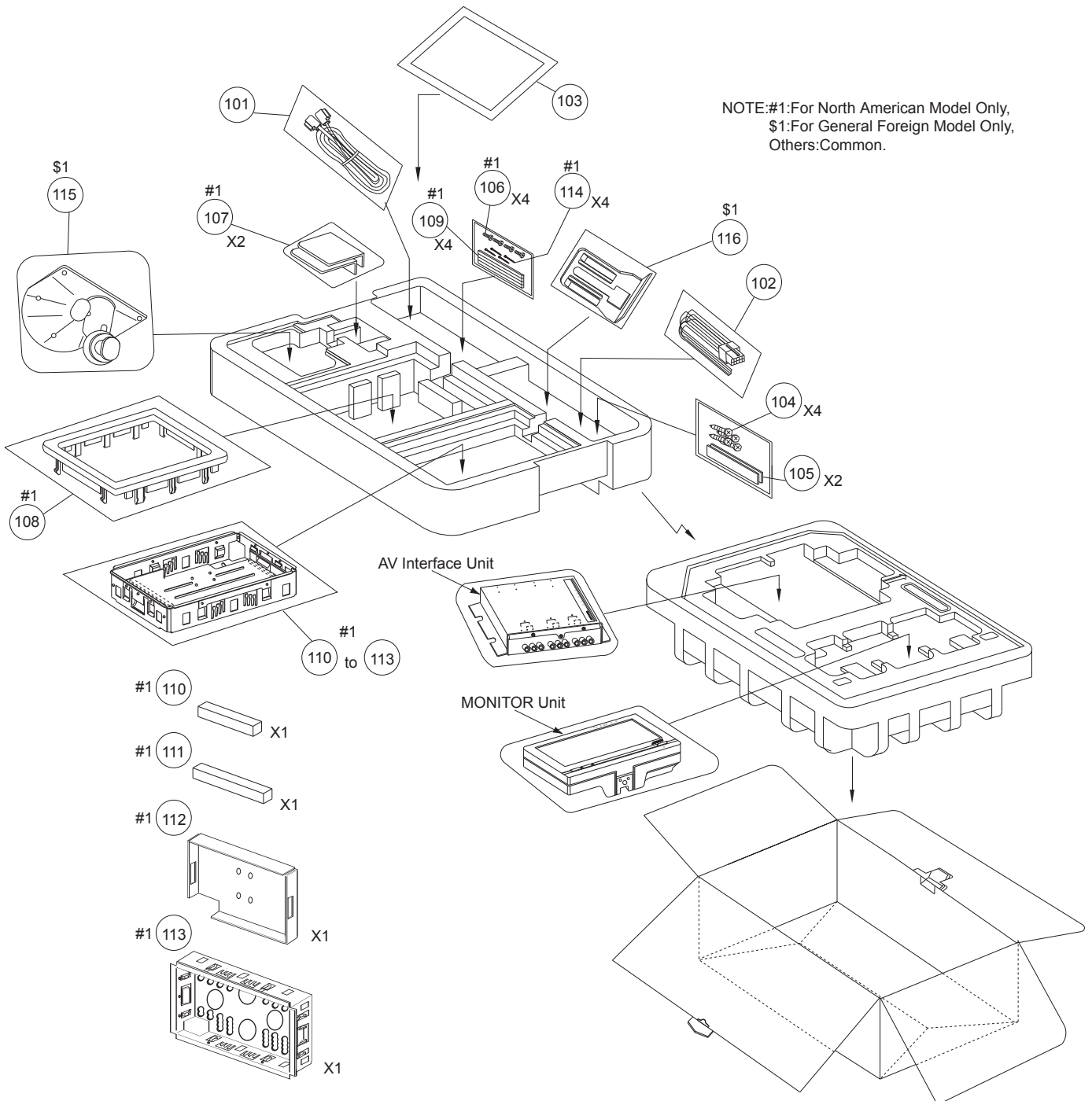
 <b>Soldering Caution</b> Hot solder from solder splash may cause severe burns.	 <b>Wear Gloves</b> Wear gloves to prevent electrical shocks or injury from the end face of the metal.
---	--

# Packing Assembly Parts List

Symbol No.	Part No.	Description	Symbol No.	Part No.	Description
101	01E37285S01	ASSY DIN CABLE	#1 108	13E37289S01	PANEL,FACE
#1 102	01E37286S01	ASSY CONNECTOR 10P	#1 109	75E37290S01	SPONGE,CUSHION-CASE
\$1 102	01E37297S01	ASSY CONNECTOR	#1 110	75E37291S01	SPONGE,CUSHION-B
#1 103	68-00493Z15	OWNER'S MANUAL	#1 111	75E37292S01	SPONGE,CUSHION-A
\$1 103	68-00493Z17	OWNER'S MANUAL	#1 112	55E37293S01	CASE,LOCK
104	03E36299S01	SCR,M4X14 TPG1(BLK)	#1 113	01E37343S01	ASS'Y INNER CASE,RDM 770AE
105	75E37287S01	TAPE,PAD-MAGIC	#1 114	37E37344S01	BIND,WIRE
#1 106	03E33860S01	SCR,M3X6 MCH(BLK)	\$1 115	01E37298S01	ASS'Y MONI-STAND KIT;RDM770GE
#1 107	45E37288S01	LEVER,MONITOR	\$1 116	01E37299S01	ASS'Y L-TYPE BKT;RDM770GE

NOTE:#1:For North American Model Only, \$1:For General Foreign Model Only, Others:Common.

## Packing Method View



# Specifications

## <MONITOR>

Screen Size	6.5-Type Wide
Display System	Low Reflection Rear Projection Type TN Liquid Crystal Panel
Drive System	Active Matrix Drive, Normally White Display
Number of Picture Elements	280,000 pcs. (H : 1,200 X V : 234 Dots)
Light Source	Internal Optical System (U-Type Cold Cathode Fluorescent Tube)

## <AUDIO>

Channel Balance (1kHz)	Head Phone Output : 0±3dB
Frequency Response (Ref. 1kHz)	Speaker Output : 100Hz : -2±3dB 10kHz : -6±3dB Head Phone Output : 100Hz : 0±3dB 10kHz : 0±3dB
S/N Ratio (1kHz)	Speaker Output : 50dB Head Phone Output : 45dB
Separation (1kHz)	Head Phone Output : 40dB
Distortion (1kHz)	Speaker Output : 1.0% Head Phone Output : 1.0%
Output Level (1kHz, Volume Max.)	Speaker Output : 1,800mVrms Head Phone Output : 300mVrms

## <NAVIGATION>

Frequency Response (Ref. 1kHz)	Speaker Output : 100Hz : -2±3dB 10kHz : -6±3dB
S/N Ratio (1kHz)	Speaker Output : 50dB
Distortion (1kHz)	Speaker Output : 1.0%
Difference Output Level (AUX-IN 1kHz)	Speaker Output : -3±3dB

## <AUX OUT>

Channel Balance (1kHz)	INPUT : AUX IN-1 : 0±3dB
Frequency Response (Ref. 1kHz)	INPUT : AUX IN-1 : 100Hz : 0±3dB 10kHz : 0±3dB
S/N Ratio (1kHz)	INPUT : AUX IN-1 : 70dB
Separation (1kHz)	INPUT : AUX IN-1 : 55dB
Distortion (1kHz)	INPUT : AUX IN-1 : 0.1%
Output Level (1kHz)	INPUT : AUX IN-1 : 1200±300mVrms

## <VIDEO>

VIDEO Output Level (Input 1.0Vp-p, 100% White)	1.0±0.15Vp-p
S/N Ratio (50% White)	50dB

**<GENERAL>**

Power Supply ..... DC14.4V (11.0 to 16.0V)  
Audio Output/Impedance ..... Speaker Output : 1,200mVrms / 8 ohm  
Head Phone Output : 250mVrms / 32 ohm  
Dimension (W x H x D) ..... MONITOR Unit : 161 x 109 x 28.5mm  
AV Interface Unit : 180 x 119 x 28.5mm  
Weight ..... MONITOR Unit : 360g  
AV Interface Unit : 550g

NOTE : Due to Continuing product improvement, specifications and designs are subject to change without notice.

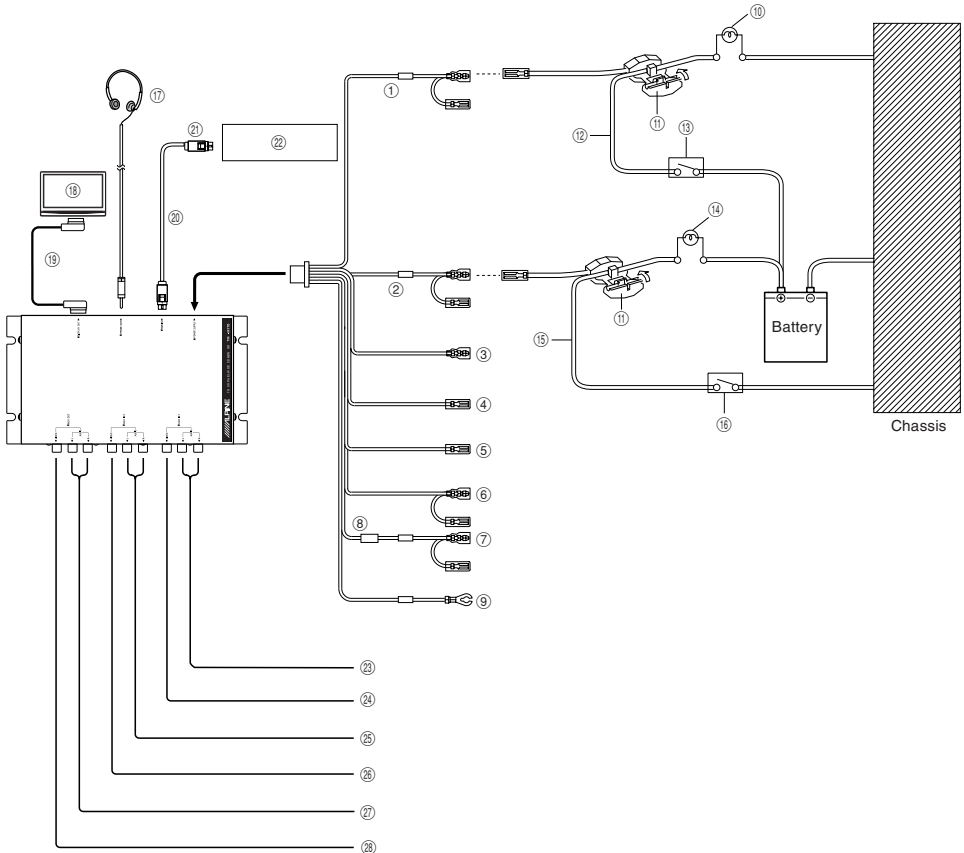
# System Diagram

(North American Model Only)

## Connections

Make connections correctly.  
Improper connections may cause a fire or operation failure.

### Basic connection



- ① **Foot brake lead (Yellow/Black)**  
Connect this lead to the foot brake lead powered when the foot brake is pressed.
- ② **Hand brake lead (Yellow/Blue)**  
Connect this lead to the hand brake lead powered when the hand brake is pulled.
- ③ **Monitor control lead (White/Pink)**  
Connect when upgrading with touch panel compatible products such as the IVA-D300.
- ④⑤ **Remote control output lead (White/Brown)**  
To remote control input lead of ALPINE products used in the system.
- ⑥ **Reverse Lead (Orange/White)**  
Use only when a back-up camera is connected. Connect to the plus side of the car's reverse lamp that lights when the transmission is shifted into reverse (R).  
Switches the video picture to the back-up camera. This is linked with putting the car into reverse (R).
- ⑦ **ACC power lead (Red)**  
To ACC power lead powered when engine key position is ACC.
- ⑧ **Fuse (7.5A)**
- ⑨ **Ground lead (Black)**  
Connect the lead to a good chassis ground on the vehicle. Make sure the connection is made to bare metal and is securely fastened using the sheet metal screw provided.
- ⑩ **Foot brake lamp**
- ⑪ **Brake connector (Included)**
- ⑫ **Foot brake lead**
- ⑬ **Foot brake switch**
- ⑭ **Hand (parking) brake lamp**
- ⑮ **Hand (parking) brake lead**
- ⑯ **Hand (parking) brake switch**
- ⑰ **Headphone**
- ⑱ **Main monitor**
- ⑲ **Connection cable**
- ⑳ **RGB cable**
- ㉑ **To RGB output terminal**
- ㉒ **Made by Alpine navigation**
- ㉓ **Audio input connectors (AUX 1)**  
Use these connectors to input the audio signals from a DVD player, video deck etc.
- ㉔ **Video input connector (AUX 1)**  
Use this connector to input the video signals from a DVD player, video deck etc.
- ㉕ **Audio input connectors (AUX 2)**  
Use these connectors to input the audio signals from a DVD player, video deck etc.

- ㉖ **Video input connectors (AUX 2)**  
Use this connector to input the video signals from a DVD player, video deck etc.
- ㉗ **Audio output connectors**  
Use these connectors to output audio signals to a rear monitor, etc.
- ㉘ **Video output connector**  
Use this connector to output video signals to a rear monitor, etc.

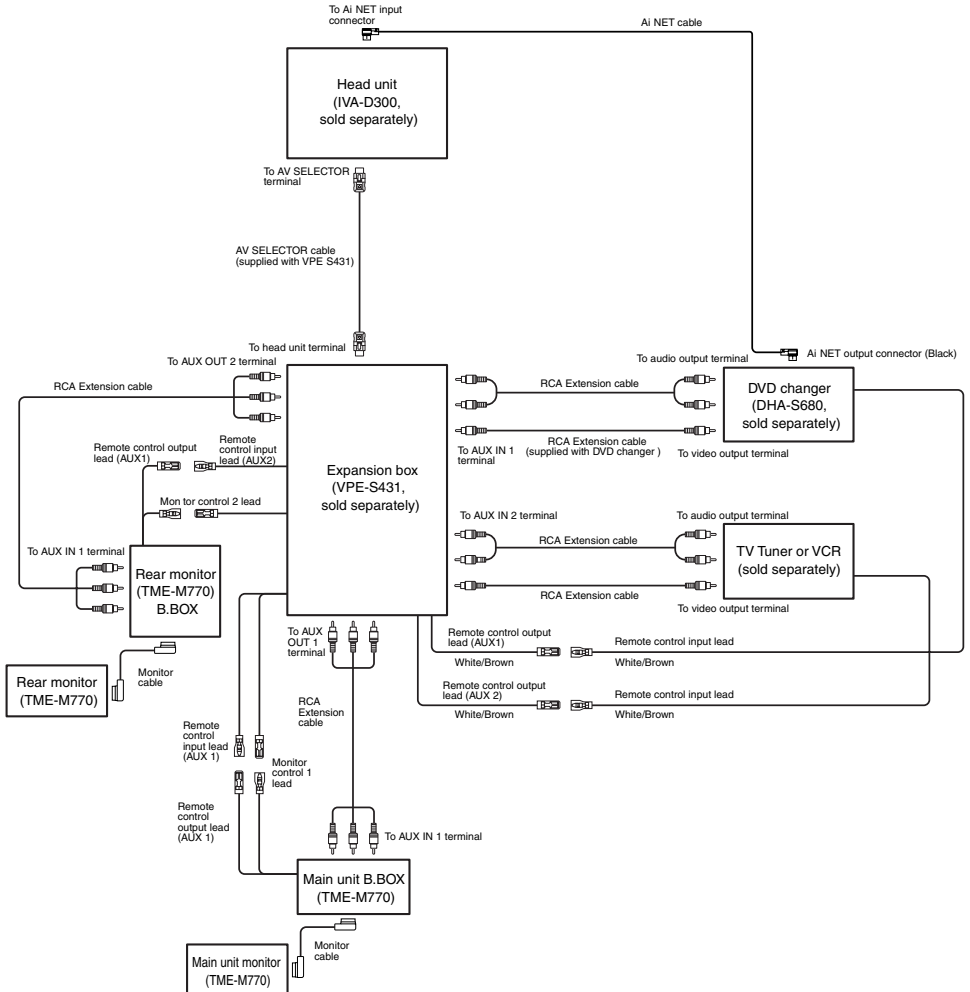
- When connecting to an IVA-D300 or VPE-S431, use the "AUX IN 1" connector. When connecting a rear view camera, use the "AUX IN 2".

**To prevent external noise from entering the audio system.**

- Locate the unit and route the leads at least 10cm away from the car harness.
- Keep the battery power leads as far away from other leads as possible.
- Connect the ground lead securely to a bare metal spot (remove the coating if necessary) of the car chassis.
- If you add an optional noise suppressor, connect it as far away from the unit as possible. Your Alpine dealer carries various Alpine noise suppressors, contact them for further information.
- Your Alpine dealer knows best about noise prevention measures so consult your dealer for further information.

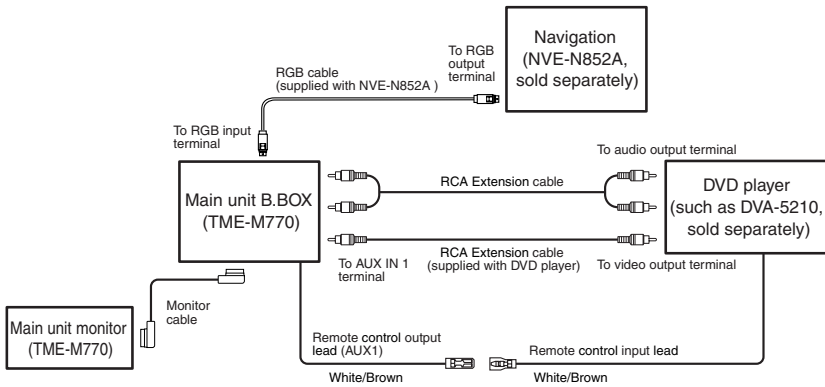
## System Connections

1) 2 main units + head unit (IVA-D300) + expansion box (VPE-S431) + DVD changer (DHA-S680) + TV Tuner (S680) + TV Tuner

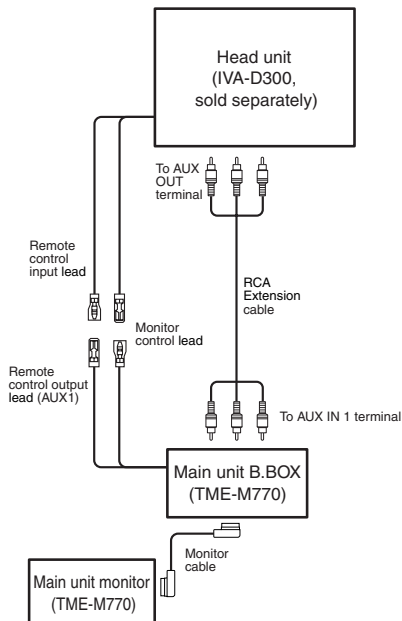




**2) Main unit + navigation (NVE-N852A) + DVD player (such as DVA-5210)**



**3) Main unit and head unit (IVA-D300)**

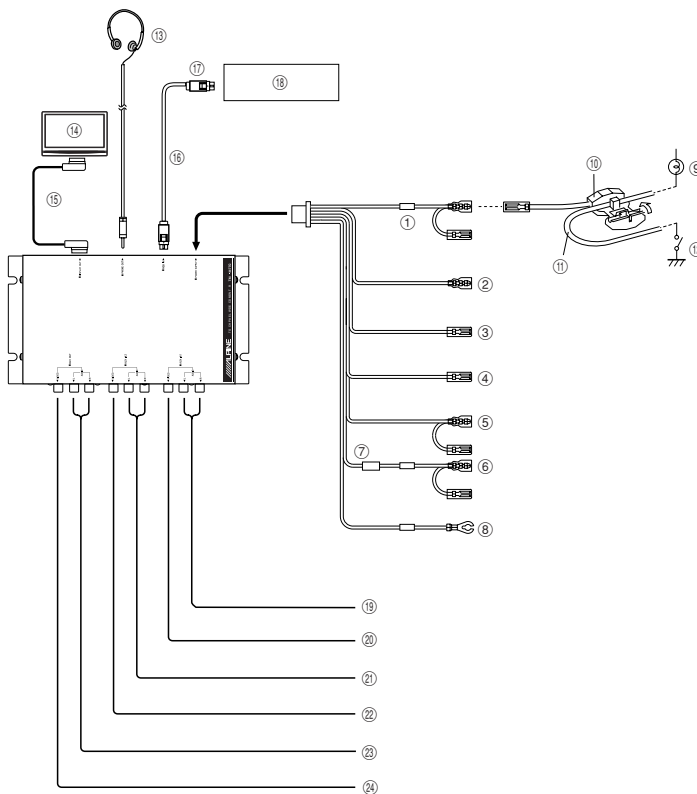


(General Foreign Model Only)

## Connections

Make connections correctly.  
Improper connections may cause a fire or operation failure.

### Basic connection



- ① **Parking brake lead (Yellow/Blue)**  
Connect this lead to the parking brake lead powered when parking brake is pulled.
- ② **Monitor control lead (White/Pink)**  
Connect when upgrading with touch panel compatible products such as the IVA-D300 series.
- ③④ **Remote control output lead (White/Brown)**  
To remote control input lead of ALPINE products used in the system.
- ⑤ **Reverse Lead (Orange/White)**  
Use only when a back-up camera is connected. Connect to the plus side of the car's reverse lamp that lights when the transmission is shifted into reverse (R).  
Switches the video picture to the back-up camera. This is linked with putting the car into reverse (R).
- ⑥ **ACC power lead (Red)**  
To ACC power lead powered when engine key position is ACC.
- ⑦ **Fuse (7.5A)**
- ⑧ **Ground lead (Black)**  
Connect the lead to a good chassis ground on the vehicle. Make sure the connection is made to bare metal and is securely fastened using the sheet metal screw provided.
- ⑨ **Brake Lamp**
- ⑩ **Brake Connector (Included)**
- ⑪ **Brake Signal Lead**
- ⑫ **Brake Switch**
- ⑬ **Headphone**
- ⑭ **Main monitor**
- ⑮ **Connection cable**
- ⑯ **RGB cable**
- ⑰ **To RGB output terminal**
- ⑱ **Made by Alpine navigation**
- ⑲ **Audio input connectors (AUX 1)**  
Use these connectors to input the audio signals from a DVD player, video deck etc.
- ⑳ **Video input connector (AUX 1)**  
Use this connector to input the video signals from a DVD player, video deck etc.
- ㉑ **Audio input connectors (AUX 2)**  
Use these connectors to input the audio signals from a DVD player, video deck etc.
- ㉒ **Video input connectors (AUX 2)**  
Use this connector to input the video signals from a DVD player, video deck etc.
- ㉓ **Audio output connectors**  
Use these connectors to output audio signals to a rear monitor, etc.
- ㉔ **Video output connector**  
Use this connector to output video signals to a rear monitor, etc.

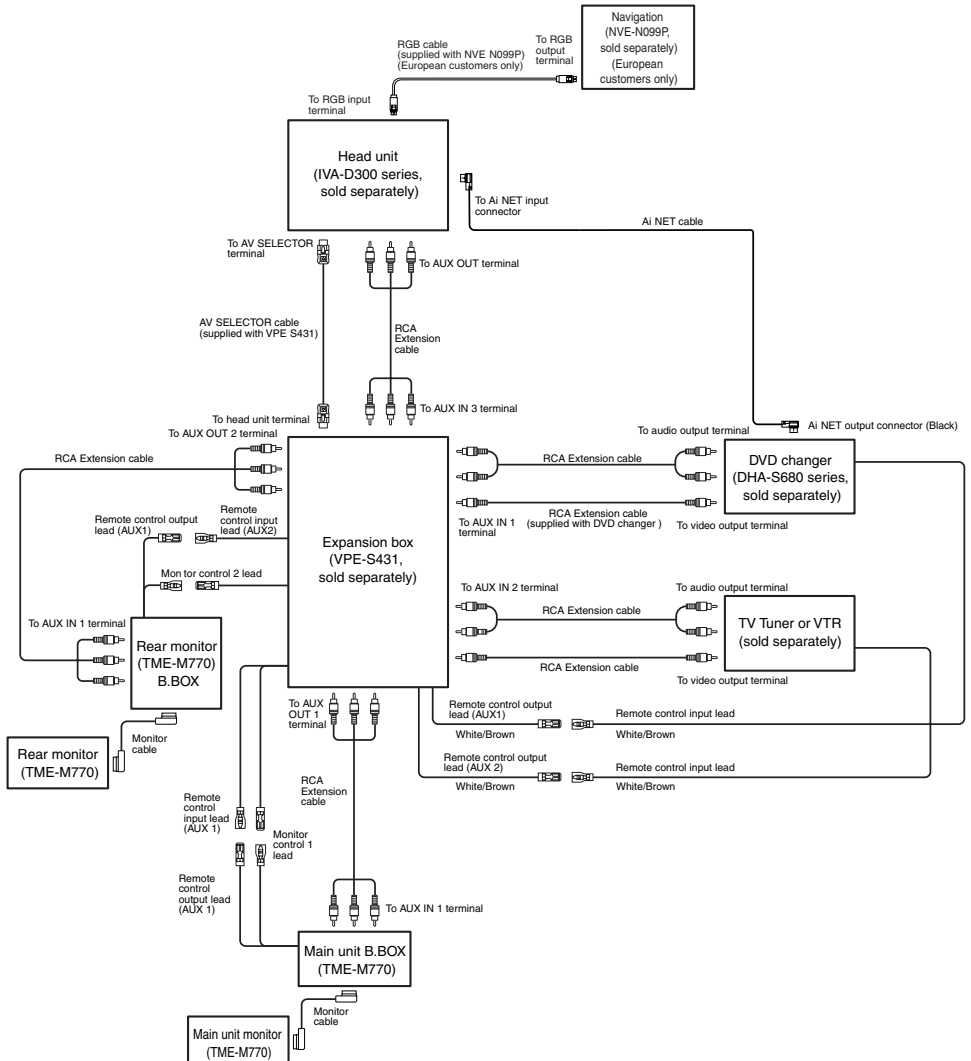
- *When connecting to an IVA-D300 series or VPE-S431, use the "AUX IN 1" connector. When connecting a rear view camera, use the "AUX IN 2".*

**To prevent external noise from entering the audio system.**

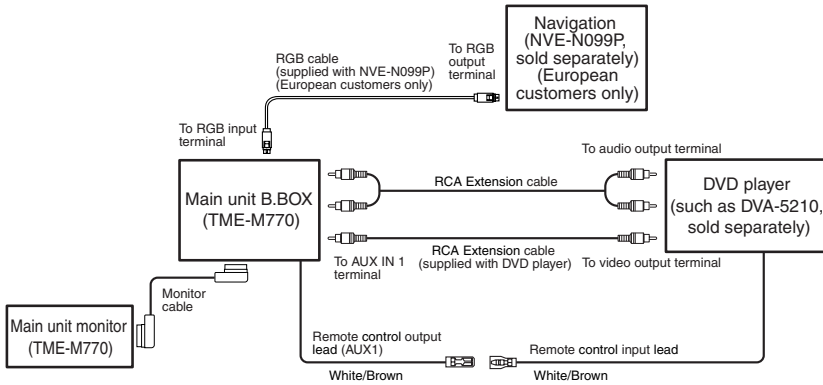
- Locate the unit and route the leads at least 10 cm away from the car harness.
- Keep the battery power leads as far away from other leads as possible.
- Connect the ground lead securely to a bare metal spot (remove the coating if necessary) of the car chassis.
- If you add an optional noise suppressor, connect it as far away from the unit as possible. Your Alpine dealer carries various Alpine noise suppressors, contact them for further information.
- Your Alpine dealer knows best about noise prevention measures so consult your dealer for further information.

## System Connections

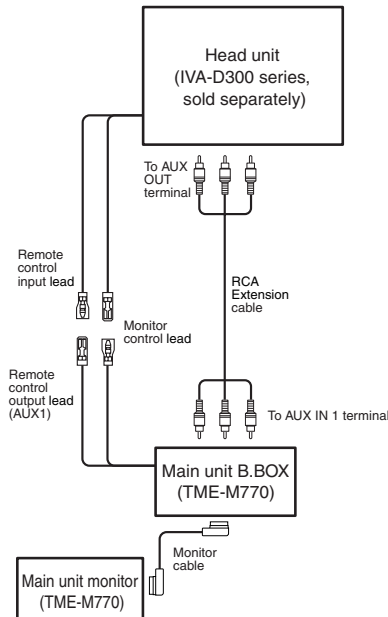
1) 2 main units + head unit (IVA-D300 series) + expansion box (VPE-S431) + navigation (NVE-N099P, European customers only) + DVD changer (DHA-S680 series) + TV Tuner



**2) Main unit + navigation (NVE-N099P, European customers only) + DVD player (such as DVA-5210)**



**3) Main unit and head unit (IVA-D300 series)**



# Adjustment Procedures

## 1. Cancellation of AUX Regulation (Parking Wire)

(North American Model Only)

(1) HAND : L <GND> (ON), FOOT : H <14V> (ON)...by initial setting

(2) HAND : H <14V> (OFF)

(3) HAND : L <GND> (ON)

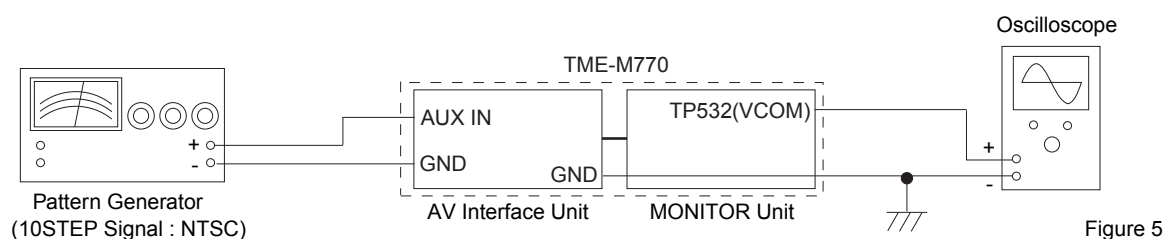
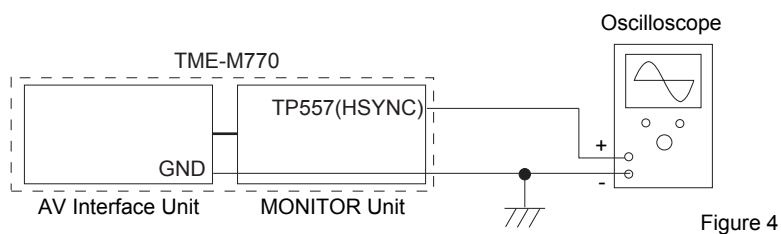
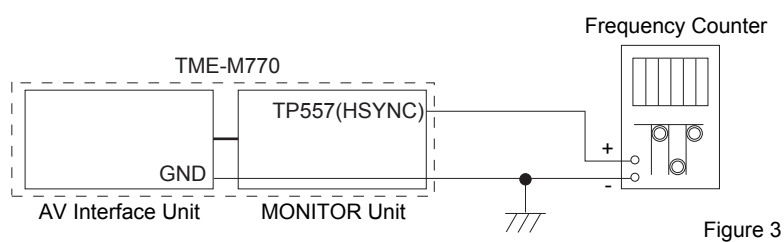
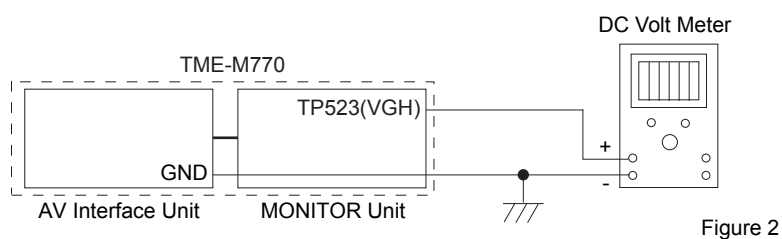
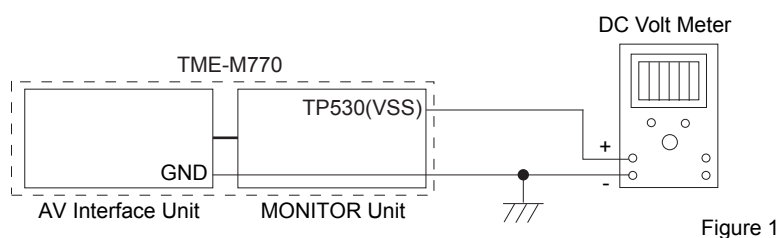
(4) FOOT : L <GND> (OFF)

(General Foreign Model Only)

(1) HAND : L <GND>

## 2. VIDEO Adjustment (NTSC/PAL Adjustment)

(1) Connection



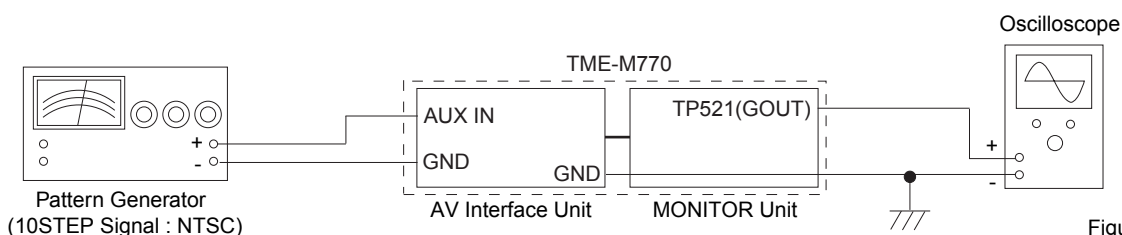


Figure 6

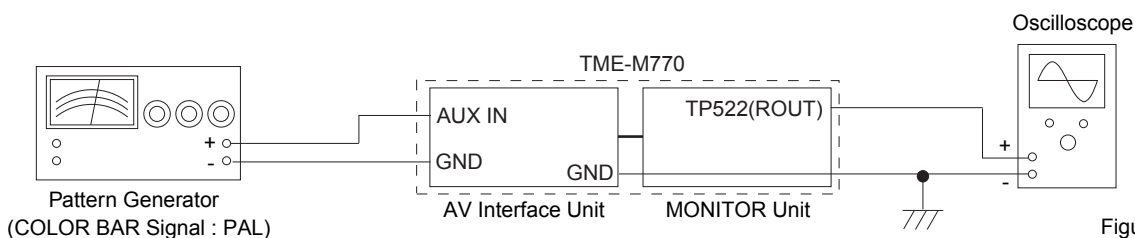


Figure 7

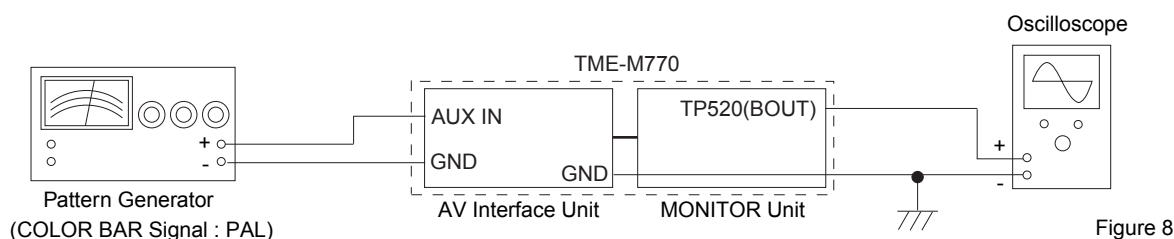


Figure 8

(2) Adjustment Procedures

Step	Operations Process	Connection	Test Point/ P.W.Board Coordinates	Adjustment
1	TP575 is connected to GND.		TP575 (4-F)	
2	Confirm AUX terminal OPEN.	Figure 1 to 4		
3	VSS Voltage Adjustment	Figure 1	TP530 (4-F)	Adjust by VR502 so that it may be set to -16V+0.05, -0.05.
4	VGH Voltage Adjustment	Figure 2	TP523 (4-F)	Adjust by VR501 so that it may be set to +13V+0.05, -0.05.
5	HSYNC Frequency Adjustment	Figure 3	TP557 (3-B)	Adjust by VR511 so that it may be set to 15.73KHz.
6	HSYNC Lo-period Adjustment	Figure 4	TP557 (3-B)	Adjust by VR510 so that it may be set to 4.55uS+0.05, -0.05.
7	Input 10STEP Signal of NTSC from AUX.	Figure 5, 6		
8	DIAG Mode set up	Figure 5, 6		After pushing POWER Key for 2 to 3 seconds, push UP Key, DOWN Key. ( →DIAG Mode)
9	VCOM Amplitude Adjustmen	Figure 5	TP532 (4-F)	Adjust for 7.8V+0.1, -0.1 by DIAG Mode (VCOM AMP) so that it may be set to DC+5.8 to -2 amplitude.

Step	Operations Process	Connection	Test Point/ P.W.Board Coordinates	Adjustment
10	GREEN Waveform-1 Adjustment	Figure 6	TP521 (4-F)	Adjust from black to the 3rd. waveform by DIAG Mode (CONTRAST) so that it may be set to AC2.2V. (Refer to Figure 9)
11	GREEN Waveform-2 Adjustment	Figure 6	TP521 (4-F)	Adjust between white and from white to the 6th. waveform by DIAG Mode (GAMMA1) so that it may be set to AC2.8V. (Refer to Figure 9)
12	GREEN Waveform-3 Adjustment	Figure 6	TP521 (4-F)	Adjust white waveform by DIAG Mode (GAMMA2) so that it may be set to AC3.9 to 4.0V. (Refer to Figure 9)
13	Switching COLOR BAR Signal of PAL	Figure 7, 8		
14	RED Waveform Adjustment	Figure 7	TP522 (4-F)	Adjust by L503 so that blue level may become the same as black level. (Refer to Figure 10) (* It is easy to adjust looking at COLOR BAR reflected in LCD directly.)
15	BLUE Waveform Adjustment	Figure 8	TP520 (4-F)	Adjust by VR504 so that output amplitude of every 1H may be combined. (Refer to Figure 11) (* It is easy to adjust looking at COLOR BAR reflected in LCD directly. It makes for magenta and red to flicker into the minimum.)

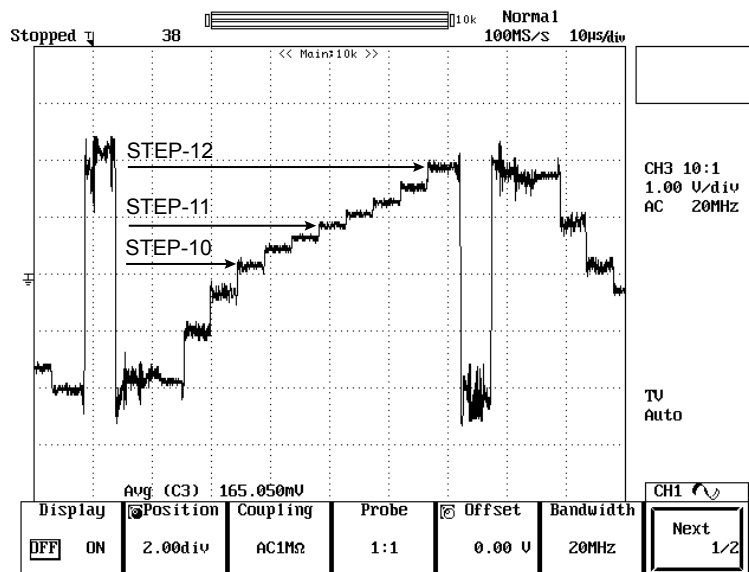


Figure 9



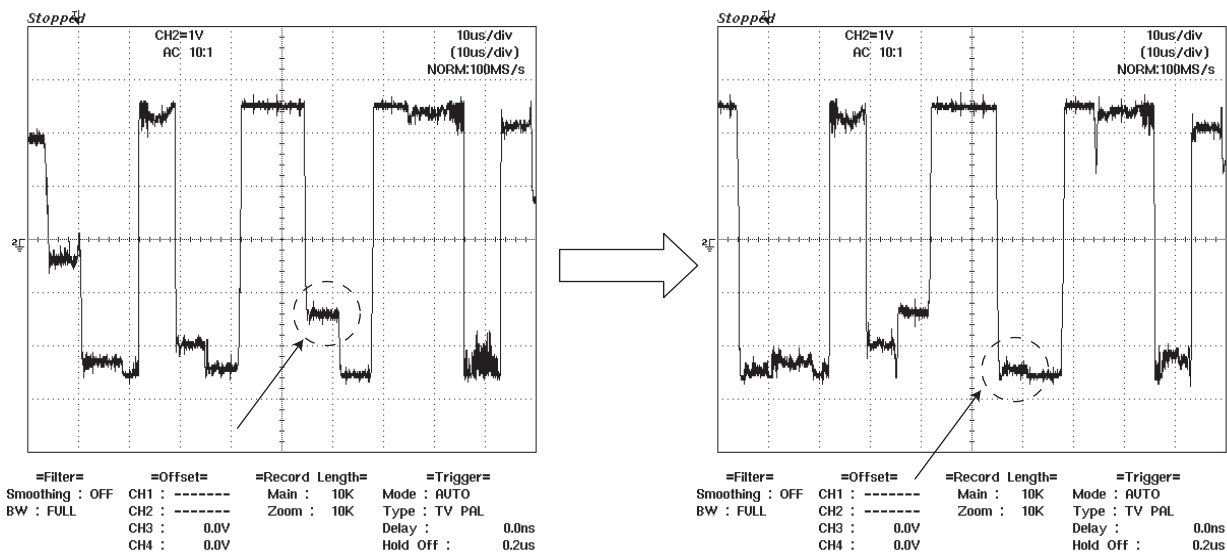


Figure 10

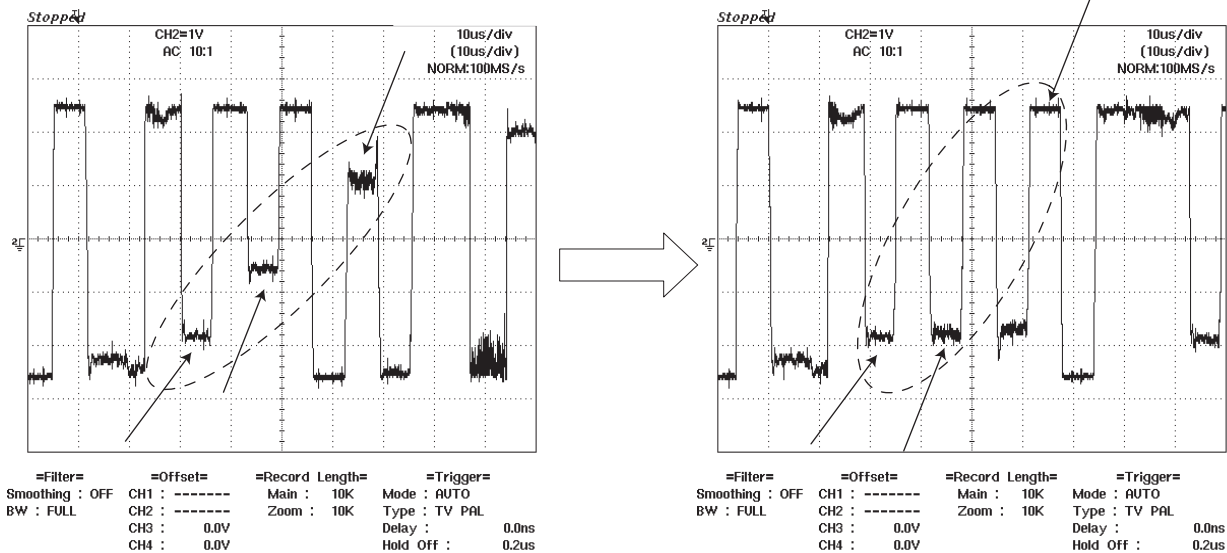
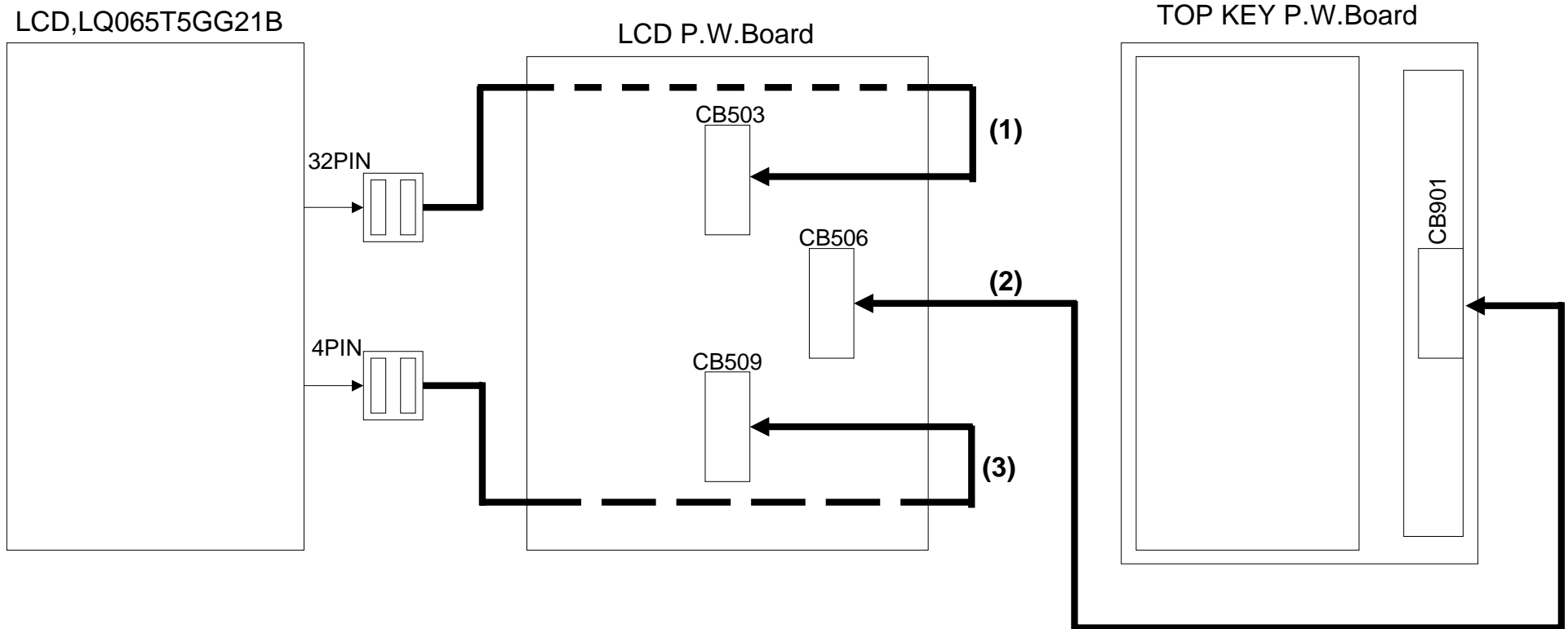


Figure 11

# Extension Cable

TME-M770

\*Always connect the Extension Cable to the mecha when making checks of voltage and repair.

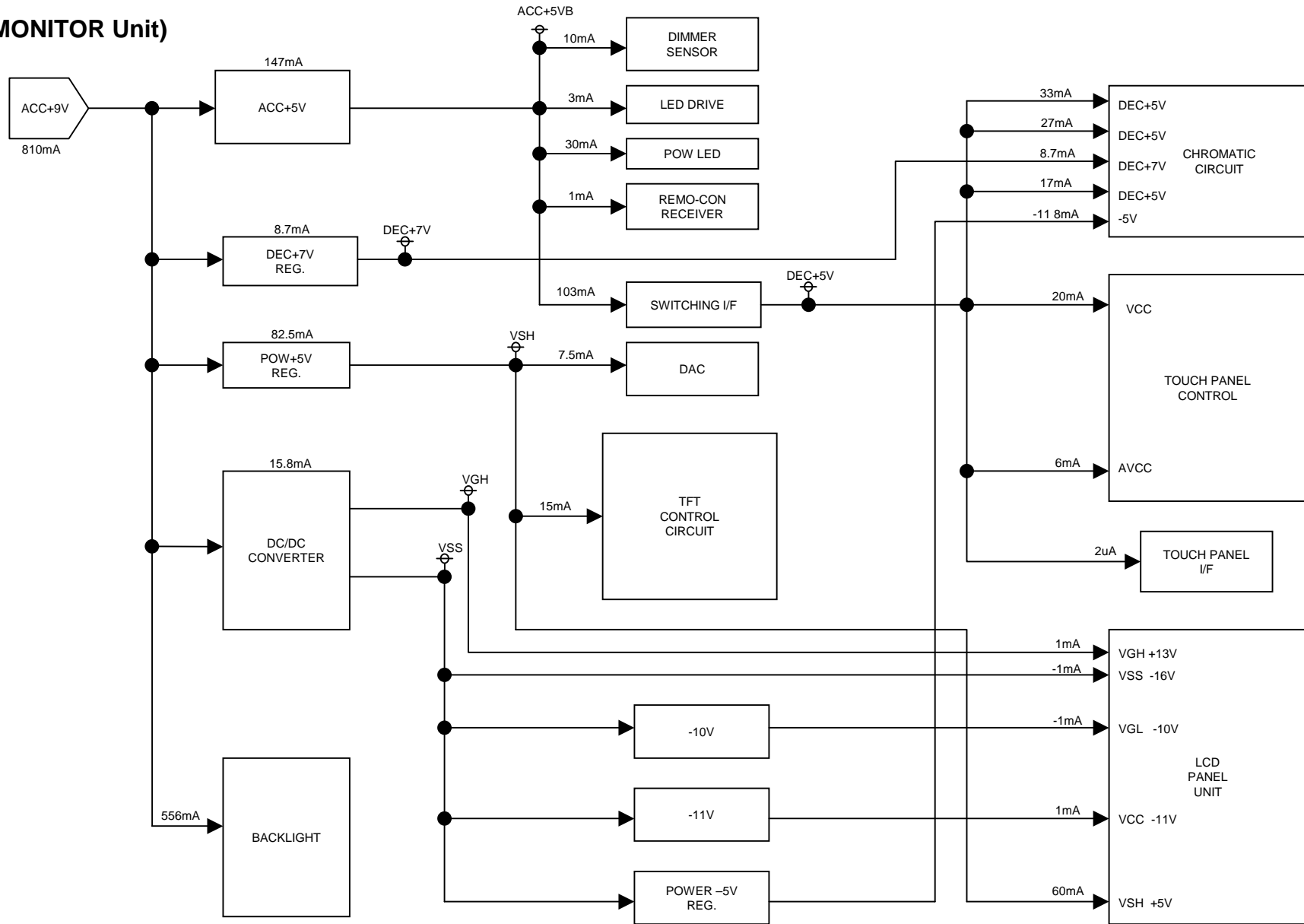


- (1) 01E37339S01
- (2) 01E37341S01
- (3) 01E37340S01

# Block Diagram

TME-M770

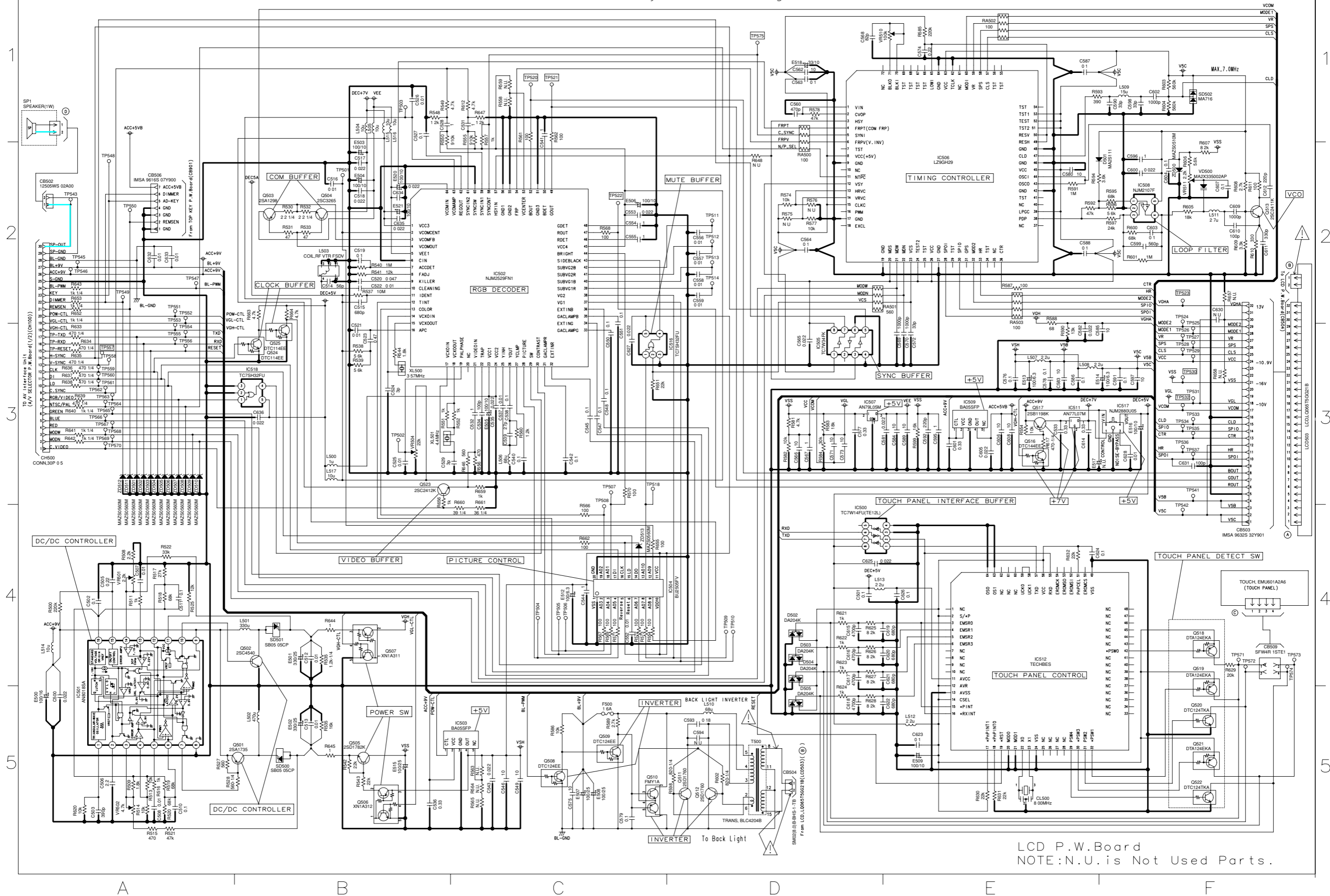
(MONITOR Unit)

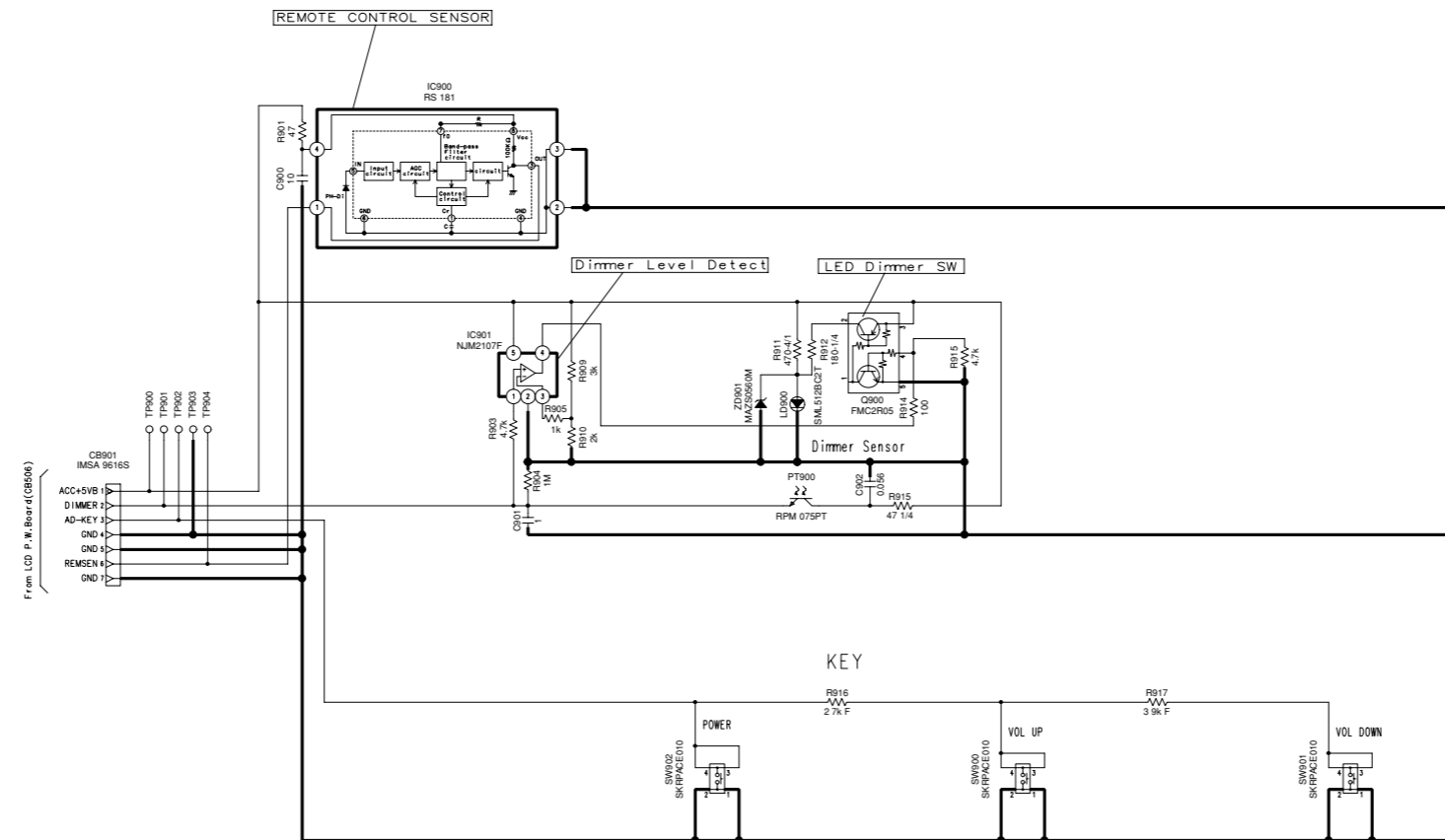


Schematic Diagram(1/2)

Caution: The part marked with  is generating a high voltage, so care will be necessary when working.

TME-M770





TOP KEY P.W.Board  
NOTE:N.U.is Not Used Parts.

## Terminal Voltage of IC/TR

IC500	
1	4.9
2	5.1
3	5.1
4	0
5	0
6	0
7	0
8	5.1

IC501			
1	0.6	9	8.6
2	0.1	10	0.3
3	0.7	11	0.7
4	0.7	12	0.4
5	0.5	13	0.6
6	0.6	14	1.3
7	6.6	15	1.9
8	0	16	1.3

IC502							
1	7.1	17	4.9	33	1.8	49	2.6
2	2	18	4.9	34	1.4	50	1.7
3	1.6	19	2.7	35	1.8	51	0
4	1.6	20	0.2	36	1.4	52	2.6
5	-4.9	21	2	37	2.2	53	2.6
6	0	22	2	38	1.5	54	2.2
7	0.2	23	5.1	39	2.6	55	0
8	1.1	24	5.1	40	2.6	56	0
9	2.9	25	1.9	41	2.6	57	4.7
10	3.6	26	2.7	42	2.6	58	4.7
11	2.6	27	2.6	43	0	59	1.9
12	2.9	28	4.1	44	2.6	60	0
13	2.6	29	0	45	5.1	61	2.3
14	4.4	30	2.1	46	1.7	62	2.7
15	3.4	31	1.9	47	2.6	63	3.8
16	2.8	32	1.4	48	1.7	64	2.6

IC503	
1	4.9
2	8.7
3	0
4	5.1
5	1.5

IC504			
1	0	11	5.1
2	2.9	12	2
3	2.1	13	0
4	4.1	14	5.1
5	5.1	15	0
6	5.1	16	0
7	2.2	17	0
8	1.5	18	2.6
9	3.8	19	2.6
10	5.1	20	0

IC505	
1	5
2	0
3	4.7
4	4.7
5	0
6	5
7	5.1
8	5.1

IC506							
1	0.5	19	0	37	0	55	0
2	0.5	20	5	38	2.8	56	0
3	4.8	21	5	39	5	57	4.2
4	2.6	22	5	40	3.5	58	4
5	0.6	23	0	41	0	59	0
6	2.2	24	5	42	0	60	5
7	0	25	0	43	2.6	61	0
8	5.1	26	5	44	2.6	62	0
9	0	27	0	45	5	63	5
10	0.4	28	0.1	46	0	64	0
11	5	29	0	47	2	65	5
12	5	30	0.1	48	0	66	0
13	5	31	0	49	2.4	67	0
14	0.3	32	5	50	2.4	68	0
15	5	33	5	51	5	69	0
16	5	34	0	52	5	70	2.6
17	0	35	0	53	5	71	2.6
18	0	36	2.6	54	0	72	0.7

IC507	
1	0
2	8.7
3	7.1

IC508	
1	2.8
2	0
3	2.8
4	2.8
5	5.1

IC509	
1	8.7
2	8.7
3	0
4	5.2
5	0.1

IC511	
1	7.1
2	0
3	8.7

IC512							
1	0	17	0.7	33	4.6	49	0
2	5	18	0.5	34	4.6	50	0
3	5	19	5	35	4.6	51	4.9
4	5	20	0	36	4.6	52	4.9
5	0.1	21	0	37	4.8	53	0
6	0.1	22	2.6	38	4.9	54	5
7	0	23	5	39	4.8	55	5
8	0	24	0	40	4.9	56	5
9	0	25	0	41	0	57	5
10	0	26	0	42	0.1	58	5
11	5	27	0	43	0	59	5
12	5	28	0	44	0	60	0
13	0	29	5	45	0	61	0
14	5	30	5	46	0	62	0
15	4.6	31	0	47	0	63	0
16	5	32	5	48	0	64	0

IC516	
1	0
2	0
3	0
4	0
5	5.1

IC517	
1	7
2	0
3	1.4
4	5.1
5	8.7

IC518		
1	5/0	RGB/AUX
2	0/0	
3	0/0	
4	5.1/0	
5	5.1/5.1	

IC900	
1	5
2	0
3	0
4	5.1

IC901	
1	5
2	0
3	2.2
4	4.6
5	5.2

	E	B	C
Q501	8.6	0.3	8.1
Q502	0	0.3	8.6
Q503	1.6	1.6	-4.9
Q504	1.6	1.6	7.1
Q505	-16	-15.4	-16
Q508	0	4.6	0
Q509	0	0	8.6
Q511	0	-0.3	8.4
Q512	0	-0.3	8.4
Q513	2.3	2.8	4.4
Q516	0	4.5	0.3
Q517	8.7	7.8	8.7
Q518	5	0	5
Q519	5	5	5
Q520	0	0.2	0.3
Q521	5	5	0.4
Q522	0	0.2	0.3
Q523	1.4	2	7
Q524	0	0	4.2
Q525	0	4.2	0

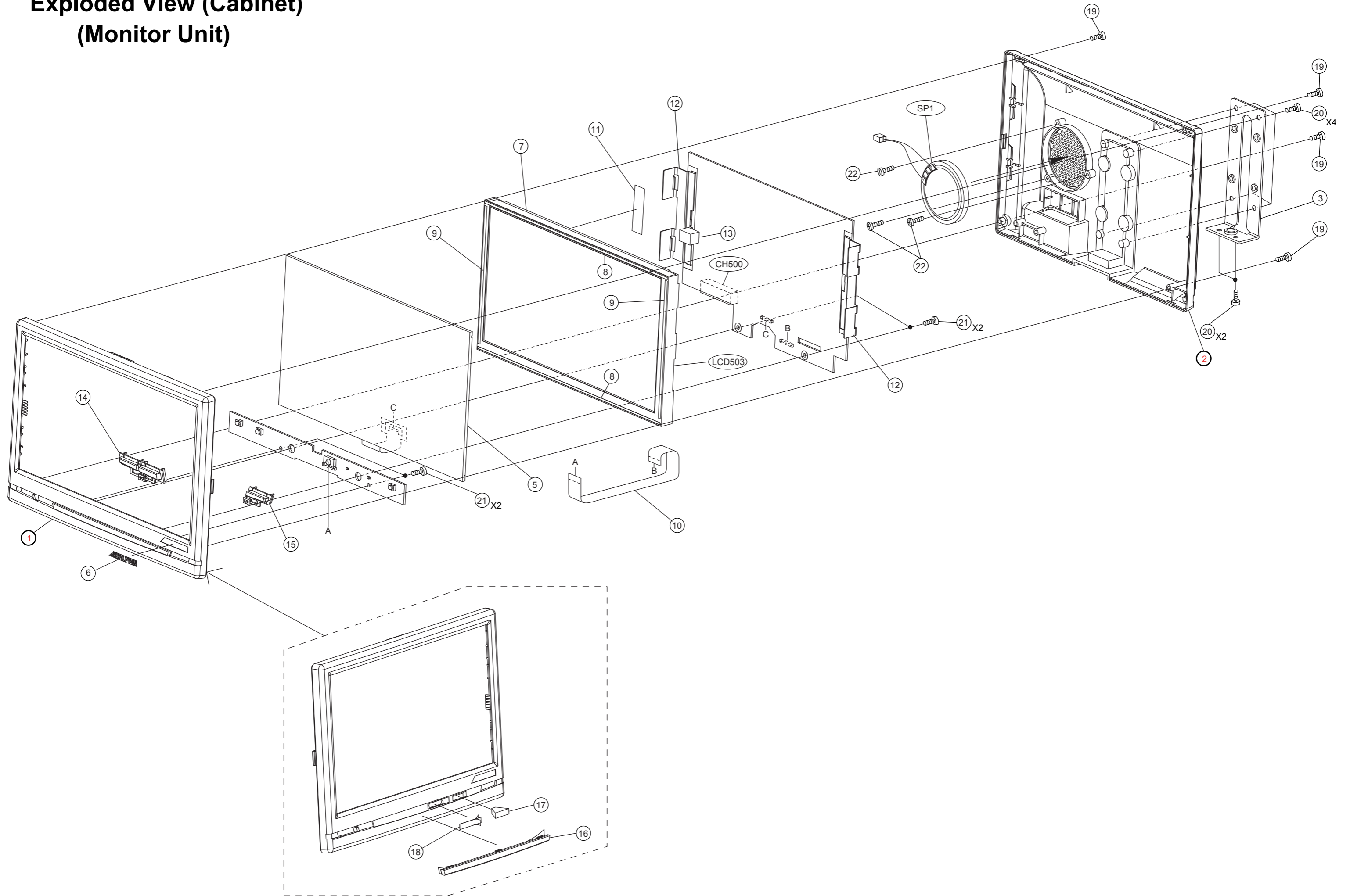
	1	2	3	4	5	MODE
Q506	0	5.1	5.1	4.8	0	
Q507	0	13	13	4.5	0	
Q510	0	8.8	8.6	7.9	8.6	
Q900	0.5/4.8	4.6/0	5.2/5.2	4.5/0	0/0	DIMMER OFF/ON

[Measuring Conditions]

- 1.Power Supply Voltage : DC14V
- 2.Measuring Meter : Digital Multi Meter
- 3.Measuring Point Reference : Between GND
- 4.Measuring Condition : connect AV Interface Unit

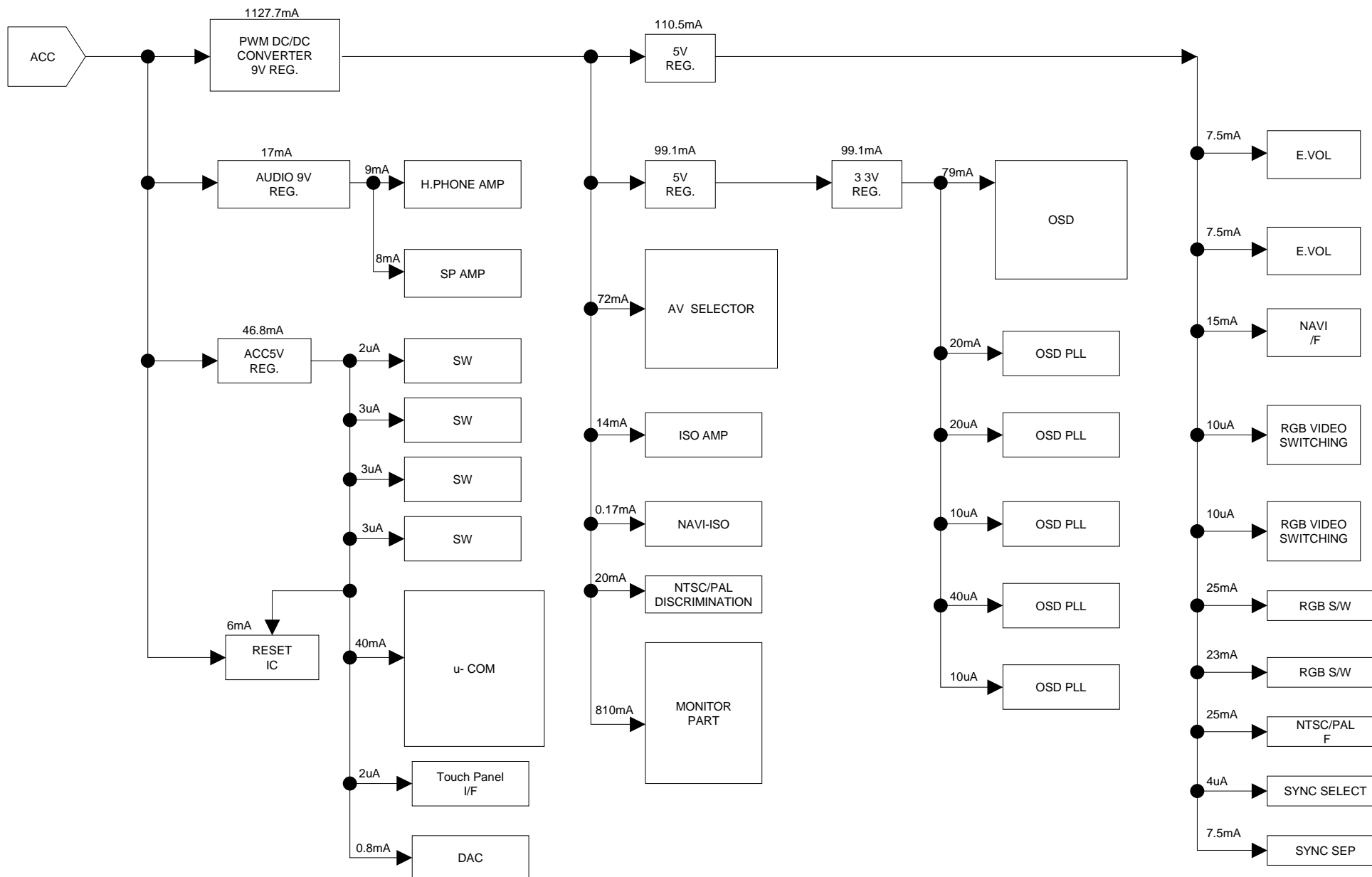


# Exploded View (Cabinet) (Monitor Unit)



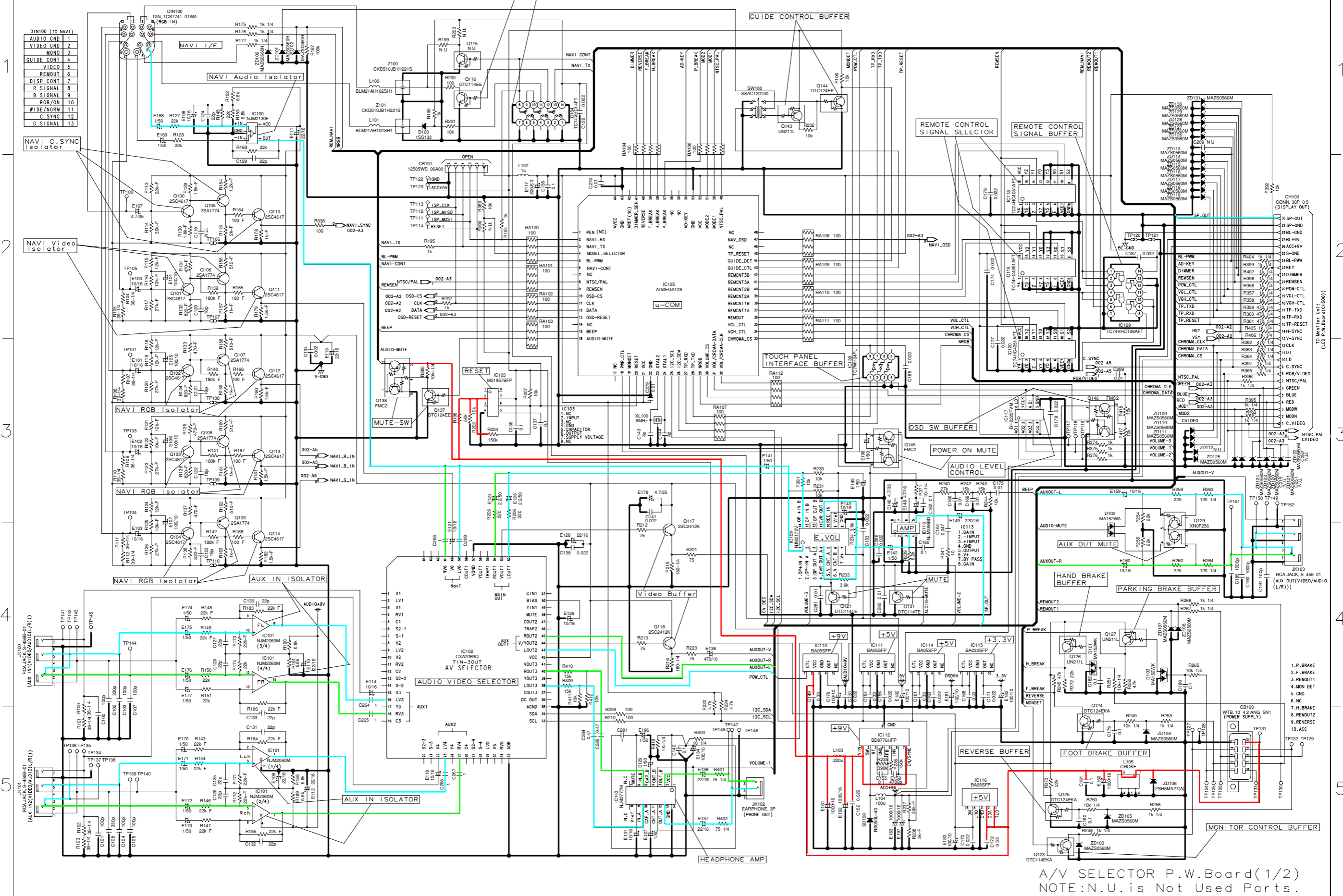
# Block Diagram

## (AV Interface Unit)



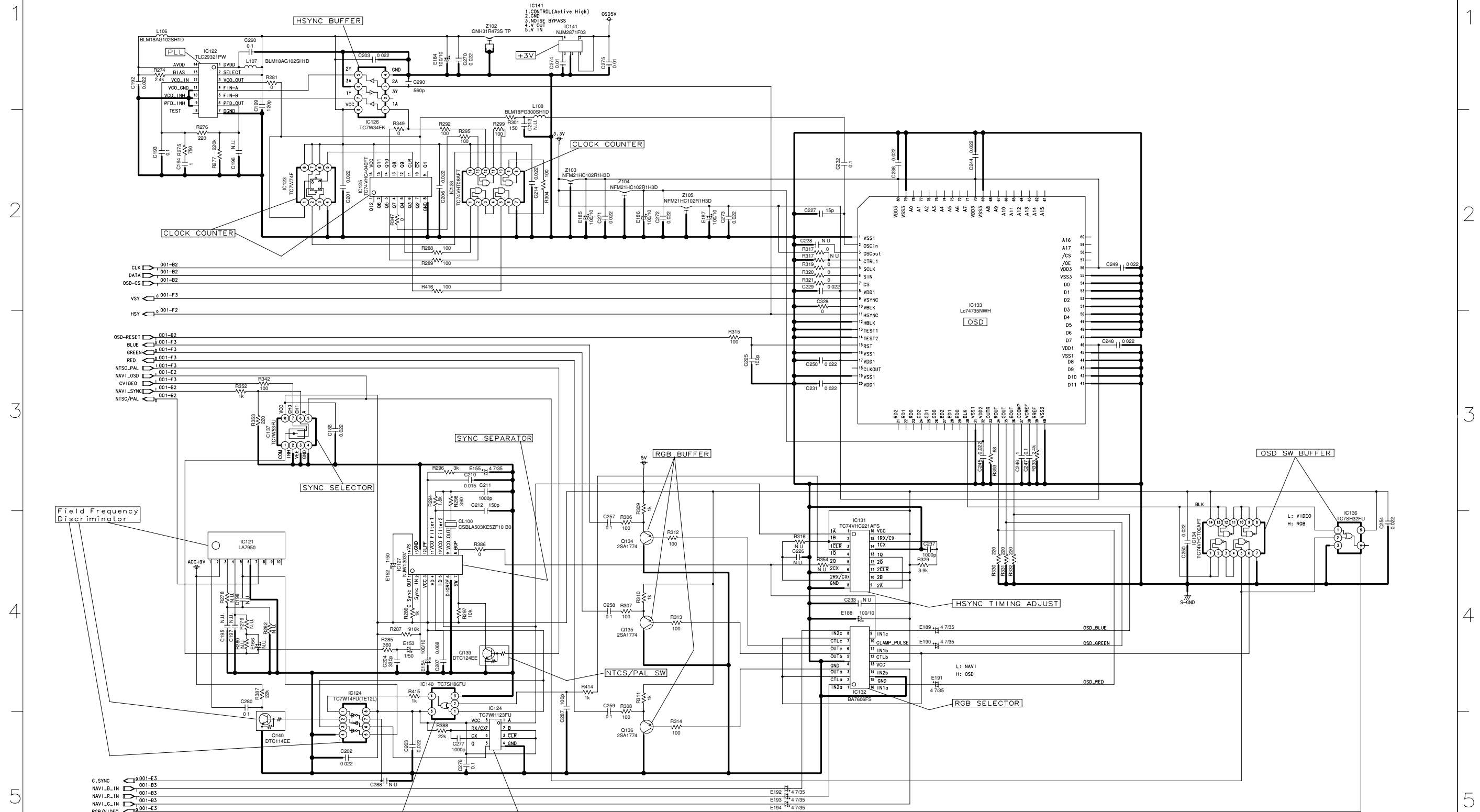
Schematic Diagram(1/2)

TME-M770



Schematic Diagram(2/2)

TME-M770



A/V SELECTOR P.W.Board(2/2)  
NOTE:N.U.is Not Used Parts.

## Terminal Voltage of IC/TR

IC100	
1	4.5
2	0
3	4.5
4	4.5
5	8.8

IC101			
1	4.6	8	4.6
2	4.6	9	4.6
3	4.6	10	4.6
4	4.2	11	0
5	4.6	12	4.6
6	4.6	13	4.6
7	4.6	14	4.6

IC102							
1	4.1	17	4.2	33	5	49	4
2	4.4	18	4.4	34	5	50	4.4
3	4.1	19	4.3	35	0	51	4.3
4	4.4	20	0	36	2	52	0
5	4.4	21	4.9	37	4.4	53	4.6
6	0	22	3.9	38	4.4	54	4.4
7	4.8	23	4.4	39	3.8	55	3.8
8	4	24	4	40	4.4	56	3.2
9	4.4	25	4.4	41	3.8	57	0
10	4.3	26	4.4	42	8.8	58	4.3
11	4.4	27	0	43	4	59	4.4
12	4.3	28	4.9	44	4	60	3.9
13	0	29	4.4	45	4	61	4.4
14	4.9	30	4	46	3.6	62	4.4
15	4.3	31	4.4	47	4.3	63	4
16	4.3	32	0	48	0	64	4.4

IC103	
1	0
2	2.5
3	0
4	0
5	1.3
6	5
7	5
8	0.3

IC104			
1	0	8	5
2	5	9	0
3	0	10	0
4	5	11	5
5	0	12	0
6	5	13	5
7	0	14	5

IC105					
1	5		33	0	
2	5		34	5	
3	5		35	5	
4	5		36	5	
5	5		37	5	
6	5		38	0	
7	5		39	5	
8	5/0	NTSC/PAL	40	5	
9	5		41	5	
10	5		42	5	
11	5		43	0	
12	0		44	5	
13	5		45	5	
14	5		46	0.7	
15	0		47	0	
16	5/0	MUTE OFF/ON	48	0.7	
17	0		49	5/0	NTSC/PAL
18	0/5	PWR OFF/ON	50	5	
19	0/5	MON DET OFF/ON	51	5	
20	5		52	5	
21	5		53	0	
22	0		54	5	
23	0.5		55	0.5	
24	0.7		56	0.5	
25	5		57	0/5	P.BRAKE OFF/ON
26	5		58	0/5	H.BRAKE OFF/ON
27	5		59	5/0	F.BRAKE OFF/ON
28	5		60	5/0	REVERSE OFF/ON
29	0		61	5	
30	0		62	5	
31	0		63	0	
32	5		64	5	

IC109			
1	2.5	8	0
2	2.5	9	2.5
3	2.5	10	2.5
4	2.5	11	2.5
5	2.5	12	2.5
6	2.5	13	2.5
7	5	14	2.5

IC110	
1	5
2	14
3	0
4	9
5	0

IC111	
1	8.9
2	8.9
3	0
4	5
5	0

IC112	
1	14
2	9.3
3	1.1
4	0
5	1.8
6	1.8
7	1
8	14

IC113	
1	1.4
2	0
3	0
4	0
5	4.4
6	9
7	4.5
8	1.4

IC114	
1	8.9
2	8.9
3	0
4	5
5	0

IC115	
1	5
2	5
3	0
4	3.3
5	0

IC116	
1	14
2	14
3	0
4	5
5	0.3

IC117	
1	1.9
2	0
3	0
4	5
5	0
6	0
7	5
8	0

IC118			
1	0	9	0
2	0	10	5
3	0	11	5
4	0	12	0
5	0	13	0
6	0	14	5
7	0	15	5
8	0	16	5

IC119			
1	0	9	0
2	0	10	5
3	0	11	5
4	0	12	0
5	0	13	0
6	0	14	5
7	0	15	5
8	0	16	5

IC120			
1	0	9	0
2	0	10	0
3	5	11	5
4	0	12	0
5	0	13	0
6	0	14	5
7	0	15	5
8	0	16	5

IC121			
1	8.9	6	0
2	8.9	7	5
3	0	8	0
4	8.5	9	0
5	0	10	0

IC122			
1	3	8	0
2	3	9	0
3	1.4	10	0
4	2.8	11	0
5	0.5	12	1.4
6	1.3	13	2.6
7	0	14	3

IC123	
1	1.4
2	0
3	3
4	0
5	0
6	3
7	3
8	3

IC124	
1	0.5
2	0
3	5
4	0
5	0
6	1.9
7	4.6
8	5

IC125			
1	0	9	1.5
2	1.5	10	1.4
3	1.5	11	0
4	1.5	12	1.3
5	1.5	13	1.3
6	1.5	14	0.5
7	1.5	15	0
8	0	16	3

IC126	
1	0.5
2	0
3	3.5
4	0
5	2.9
6	0
7	0.5
8	3

IC127			
1	0	8	0.5
2	1.5	9	3.2
3	5.1	10	5
4	4.8	11	5
5	4.7	12	1.4
6	0	13	0
7	0	14	4

IC128			
1	1.5	8	0
2	1.5	9	0
3	0.7	10	0
4	0.7	11	0
5	1.5	12	0
6	0	13	1.4
7	0	14	3

IC129			
1	0	8	5
2	0	9	5
3	0	10	5
4	0	11	0
5	0	12	0
6	0	13	0
7	0	14	5

IC131			
1	4.8	9	0
2	5	10	5
3	5	11	5
4	4.8	12	5
5	5.1	13	0
6	0	14	3
7	0	15	0
8	0	16	3

IC132					
1	3		9	3.2	
2	0/5	NAVI/AUX	10	0.4	
3	1.6		11	3	
4	0		12	0/5	NAVI/AUX
5	1.6		13	5	
6	1.7		14	3	
7	0/5	NAVI/AUX	15	0	
8	3		16	3	

IC133									
1	0	17	3.3	33	0.6	49	0	65	0
2	1.4	18	0	34	0	50	0	66	0
3	3.4	19	0	35	0	51	0	67	0
4	3.4	20	3.3	36	0	52	0	68	0
5	5	21	0	37	1.5	53	0	69	0
6	0	22	0	38	1.1	54	0	70	3.3
7	5	23	0	39	1.1	55	0	71	0
8	3.3	24	0	40	0	56	3.3	72	0
9	5	25	0	41	0	57	3.3	73	0
10	0	26	0.6	42	0	58	0	74	0
11	3.5	27	1.2	43	0	59	0	75	0
12	0	28	0.6	44	0	60	0	76	0
13	0	29	0.4	45	0	61	0	77	0
14	0	30	1.6	46	3.3	62	0	78	0
15	5	31	0	47	0	63	0	79	0
16	0	32	3.3	48	0	64	0	80	3.3



IC134			
1	2.53	8	3.85
2	2.53	9	1.28
3	1.28	10	1.28
4	1.28	11	1.28
5	0	12	2.53
6	5	13	2.53
7	0	14	5

IC136			
1	2.2/2.5	RGB/VIDEO	
2	5/0		
3	0/0		
4	5/2.5		
5	5/5		

IC137		
1	1.6	
2	0	
3	0	
4	0	
5	5/0	NAVI/AUX
6	0	
7	0	
8	5	

IC139	
1	5
2	5
3	0
4	0
5	5
6	0
7	0
8	5

IC140	
1	5
2	4.7
3	0
4	0.5
5	5

IC141	
1	5
2	0
3	1.3
4	0
5	5

IC142	
1	4.7
2	5.1
3	5.1
4	0
5	1.9
6	0
7	3.6
8	5.1

IC143			
1	9	8	0
2	4.2	9	4.2
3	0	10	4.2
4	0.7	11	0.7
5	4.2	12	0
6	0	13	4.2
7	0	14	0

	E	B	C	MODE
Q100	4.4	5	5.2	
Q101	4	4.6	6.5	
Q102	4	4.6	6.5	
Q103	4	4.6	6.5	
Q104	4	4.6	6.5	
Q105	5.8	5.2	4.9	
Q106	7.2	6.5	3.3	
Q107	7.2	6.5	3.3	
Q108	7.2	6.5	3.3	
Q109	7.2	6.5	3.3	
Q110	4.3	4.9	8.8	
Q111	2.6	3.3	8.8	
Q112	2.7	3.3	8.8	
Q113	2.7	3.3	8.8	
Q114	2.7	3.3	8.8	
Q116	0	0	4.6	
Q117	3.9	4.5	8.8	
Q118	3.8	4.4	8.8	
Q121	2.3/0	0/14	0/0	MUTE(OFF/ON)
Q123	0/0	0/5	0.28/0	MUTE(OFF/ON)
Q124	0/0	0/4.1	5/0	F.BRAKE(OFF/ON)
Q125	0/0	0/4.1	5/0	REVERSE(OFF/ON)
Q126	5/5	5/3.8	0/5	H.BRAKE(OFF/ON)
Q127	5/5	5/3.8	0/5	P.BRAKE(OFF/ON)
Q134	2.4	1.8	0	
Q135	2.4	1.8	0	
Q136	2.4	1.8	0	
Q137	0/0	5/0	0/9	MUTE(OFF/ON)
Q139	0/0	5/0	0/5	NTSC/PAL
Q140	0	3.2	0.9	
Q141	2.3/0	0/13.3	0/0	MUTE(OFF/ON)
Q143	5	5	0	
Q144	0	0	5	

	1	2	3	4	5	MODE
Q138	NC	0/13.3	13.4/13.4	0/9	0/0	MUTE(OFF/ON)
Q145	0	4.5	0	0	0	
Q146	NC	5/0	5/5	5/0	0/0	NAVI/AUX

	1	2	3	4	5	6	MODE
Q129	0/0	0/0	0/0	0/12.6	NC	0/12.6	MUTE(OFF/ON)

## [Measuring Conditions]

- 1.Power Supply Voltage : DC14V  
2.Measuring Meter : Digital Multi Meter  
3.Measuring Point Reference : Between GND  
4.Measuring Condition : connect Monitor Unit

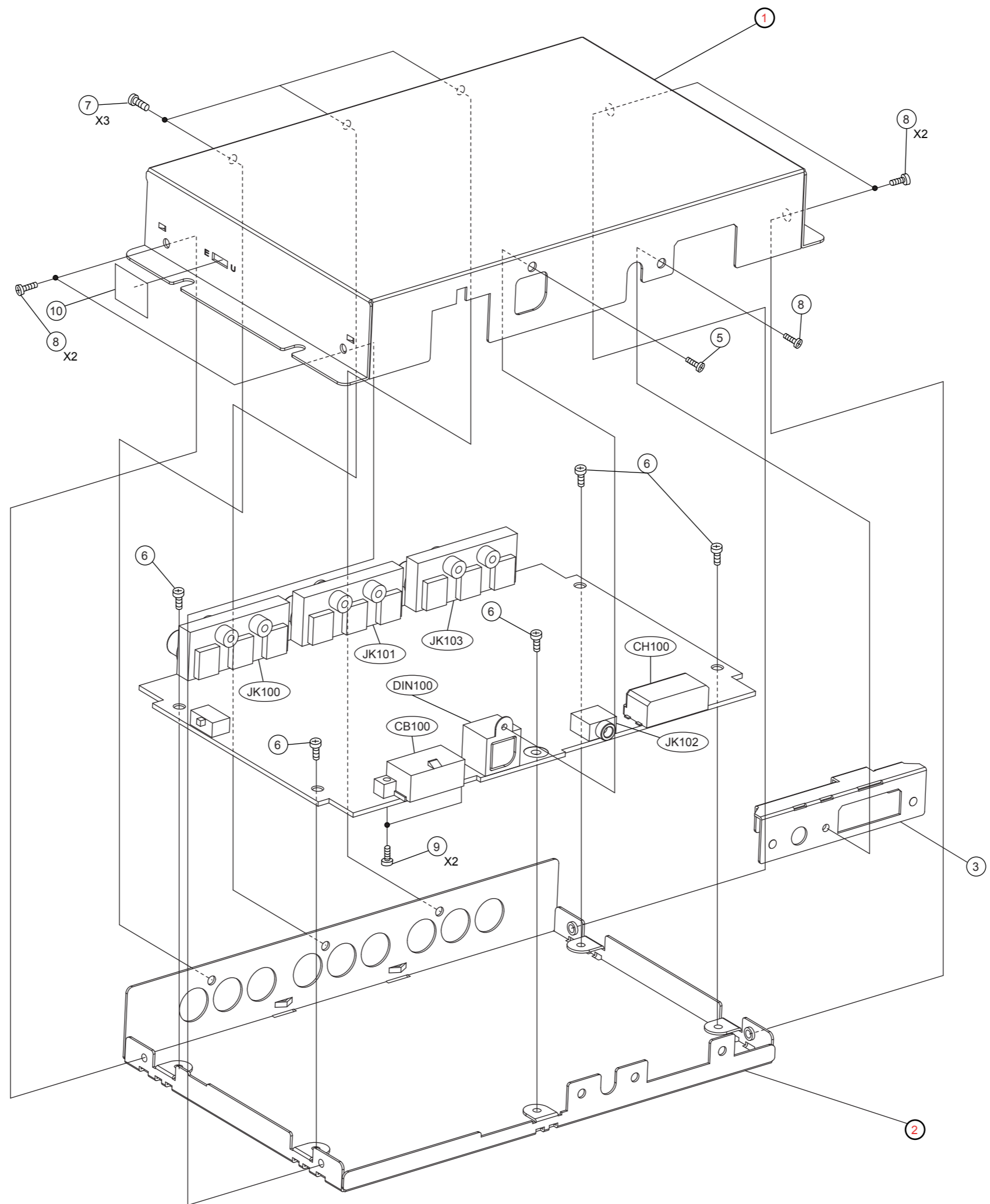
## Description of IC Terminal

### ATMEGA128 : IC105

No.	Symbol	I/O	Terminal Description
1	PEN(NC)	-	No connect terminal.
2	NAVI_RX	I	Navigation serial RX terminal.
3	NAVI_TX	O	Navigation serial TX terminal.
4	MODEL_SELECTOR	I	A/G/E/ J model area change input terminal.
5	BL-PWM	O	Backlight TFT light (PWM) terminal.
6	NAVI-CONT	I	Navigation join check terminal.
7	NC	-	No connect terminal.
8	NTSC/PAL	I	LA7950 detection terminal.
9	REMSEN	I	Remote controller receiving terminal.
10	OSD-CS	O	LC74735 (OSD) control terminal.
11	CLK		
12	DATA		
13	OSD-RESET		
14	NC	-	No connect terminal.
15	BEEP	O	Buzzer output (PWM) terminal.
16	AUDIO-MUTE	O	Audio signal shutdown terminal.
17	NC	-	No connect terminal.
18	PWR_CTL	O	Power control terminal.
19	MONDET	O	OSD menu control (H/L) output terminal.
20	RESET	I	Reset signal input terminal.
21	VCC	-	Power supply connect terminal.
22	GND	-	GND connect terminal.
23	XTAL2	-	Crystal connect terminal. (8MHz)
24	XTAL1		
25	I2C_SCL	O	AV selector (CXA2069) control terminal.
26	I2C_SDA	I/O	
27	TP_RXD	I	Touchpad communication terminal.
28	TP_TXD	O	
29	NRGB	I	(RGB/Composite) discrimination terminal.
30	VOLUME_CS	O	Volume (BH2220) DAC control terminal.
31	VOL/CROMA-DATA	O	Volume/Chroma DATA output terminal.
32	VOL/CROMA-CLK	O	Volume/Chroma CLK output terminal
33	CHROMA_CS	O	BH2505 DAC control terminal.
34	VGH_CTL	O	Power control terminal.
35	VGL_CTL		
36	REMOUT	O	Remote control code transmitting terminal.
37	REMCNT1A	O	Remote control output selector terminal.
38	REMCNT1B		
39	REMCNT2A		
40	REMCNT2B		
41	REMCNT3A		
42	REMCNT3B		
43	GUIDE_CTL	I	Navigation voice signal control terminal.
44	GUIDE_DET	I	Navigation voice signal detection terminal.
45	TP_RESET	O	Touchpad communication terminal.
46	NC	-	No connect terminal.

No.	Symbol	I/O	Terminal Description
47	NAV_OSD	O	(RGB/Composite) select terminal.
48	NC	-	No connect terminal.
49	NTSC_PAL	O	NJM1303 (NTSC_PAL) clock select terminal.
50	MODE1	O	WIDE/ZOOM/CINEMA/NORMAL select terminal.
51	MODE2		
52	VCC	-	Power supply connect terminal.
53	GND	-	GND connect terminal.
54	AD-KEY	I	Key input terminal.
55	NC	-	No connect terminal.
56			
57	P_BREAK	I	External break signal input terminal.
58	H_BREAK		
59	F_BREAK		
60	REVERSE	I	External reverse signal input terminal.
61	DIMMER_SEN	I	Photo sensor input terminal.
62	AREF(NC)	-	No connect terminal.
63	GND	-	GND connect terminal.
64	AVCC	-	Analog power supply connect terminal.

# Exploded View (Cabinet) (AV Interface Unit)



## Electrical Parts List (Monitor Unit)

\* Each parts on P.W.Board are described in order of the reference number.

=====LCD P.W.Board

C500	08E37121S01	CAP,CER.CP 22nF/50V
C501	08E37122S01	CAP,CER.CP 0.1uF/25V
C502	08E37122S01	CAP,CER.CP 0.1uF/25V
C503	08E37203S01	CAP,CER.CP 390pF/50V
C505	08E37155S01	CAP,CER.CP 0.22/10V
C506	08S35349Y17	CAP,CER.CP 2.2/6.3V
C507	08E37120S01	CAP,CER.CP 10nF/50V
C508	08E37120S01	CAP,CER.CP 10nF/50V
C510	08E37122S01	CAP,CER.CP 0.1uF/25V
C511	08E37122S01	CAP,CER.CP 0.1uF/25V
C512	08E37120S01	CAP,CER.CP 10nF/50V
C513	08E37120S01	CAP,CER.CP 10nF/50V
C514	08E37149S01	CAP,CER.CP 56pF/50V
C515	08E37119S01	CAP,CER.CP 680pF/50V
C516	08E37120S01	CAP,CER.CP 10nF/50V
C517	08E37121S01	CAP,CER.CP 22nF/50V
C518	08E37121S01	CAP,CER.CP 22nF/50V
C519	08E37122S01	CAP,CER.CP 0.1uF/25V
C520	08E37159S01	CAP,CER.CP 47nF/50V
C521	08E37120S01	CAP,CER.CP 10nF/50V
C522	08E37120S01	CAP,CER.CP 10nF/50V
C523	08E37178S01	CAP,CER.CP 0.47/16V
C524	08E37175S01	CAP,CER.CP 3pF/50V
C525	08E37120S01	CAP,CER.CP 10nF/50V
C526	08E37120S01	CAP,CER.CP 10nF/50V
C527	08E37122S01	CAP,CER.CP 0.1uF/25V
C528	08S35349Y16	CAP,CER.CP 1uF/10V
C529	08E37175S01	CAP,CER.CP 3pF/50V
C531	08S35349Y16	CAP,CER.CP 1uF/10V
C532	08S35349Y16	CAP,CER.CP 1uF/10V
C533	08E37123S01	CAP,CER.CP 0.33/16V
C534	08E37117S01	CAP,CER.CP 100pF/50V
C535	08E37121S01	CAP,CER.CP 22nF/50V
C536	08E37123S01	CAP,CER.CP 0.33/16
C537	08E37120S01	CAP,CER.CP 10nF/50V
C538	08E37122S01	CAP,CER.CP 0.1uF/25V
C539	08E37116S01	CAP,CER.CP 27pF/50V
C540	08E37122S01	CAP,CER.CP 0.1uF/25V
C541	08S35349Y16	CAP,CER.CP 1uF/10V
C542	08E37122S01	CAP,CER.CP 0.1uF/25V
C543	08E37121S01	CAP,CER.CP 22nF/50V
C544	08S35349Y16	CAP,CER.CP 1uF/10V
C545	08E37122S01	CAP,CER.CP 0.1uF/25V
C546	08T81833F13	CAP,CER.CP 10uF/16V
C547	08E37122S01	CAP,CER.CP 0.1uF/25V
C548	08E37122S01	CAP,CER.CP 0.1uF/25V
C549	08T81833F13	CAP,CER.CP 10uF/16V
C550	08E37122S01	CAP,CER.CP 0.1uF/25V
C551	08E37122S01	CAP,CER.CP 0.1uF/25V
C552	08E37120S01	CAP,CER.CP 10nF/50V
C553	08E37121S01	CAP,CER.CP 22nF/50V

C554	08S35349Y16	CAP,CER.CP 1uF/10V
C555	08S35349Y16	CAP,CER.CP 1uF/10V
C556	08E37120S01	CAP,CER.CP 10nF/50V
C557	08E37120S01	CAP,CER.CP 10nF/50V
C558	08E37120S01	CAP,CER.CP 10nF/50V
C559	08E37120S01	CAP,CER.CP 10nF/50V
C560	08E37151S01	CAP,CER.CP 470pF/50V
C562	08T81833F10	CAP,CER.CP 10uF/6.3V
C563	08E37122S01	CAP,CER.CP 0.1uF/25V
C564	08E37122S01	CAP,CER.CP 0.1uF/25V
C565	08E37121S01	CAP,CER.CP 22nF/50V
C566	08T81833F13	CAP,CER.CP 10uF/16V
C567	08S35350Y04	CAP,CER.CP 1uF/16V
C568	08E37179S01	CAP,CER.CP 82pF/50V
C569	08E37153S01	CAP,CER.CP 1nF/50V
C570	08E37153S01	CAP,CER.CP 1nF/50V
C571	08T81833F13	CAP,CER.CP 10uF/16V
C572	08E37115S01	CAP,CER.CP 33pF/50V
C573	08T81833F13	CAP,CER.CP 10uF/16V
C574	08E37155S01	CAP,CER.CP 0.22/10V
C575	08T81833F13	CAP,CER.CP 10uF/16V
C576	08E37122S01	CAP,CER.CP 0.1uF/25V
C577	08E37123S01	CAP,CER.CP 0.33/16
C578	08E37122S01	CAP,CER.CP 0.1uF/25V
C579	08E37122S01	CAP,CER.CP 0.1uF/25V
C580	08T81833F10	CAP,CER.CP 10uF/6.3V
C581	08E37121S01	CAP,CER.CP 22nF/50V
C582	08E37121S01	CAP,CER.CP 22nF/50V
C583	08T81833F10	CAP,CER.CP 10uF/6.3V
C584	08T81833F12	CAP,CER.CP 10uF/10V
C585	08T81833F10	CAP,CER.CP 10uF/6.3V
C586	08E37122S01	CAP,CER.CP 0.1uF/25V
C587	08E37122S01	CAP,CER.CP 0.1uF/25V
C588	08E37122S01	CAP,CER.CP 0.1uF/25V
C589	08T81833F12	CAP,CER.CP 10uF/10V
C590	08E37115S01	CAP,CER.CP 33pF/50V
C591	08E37122S01	CAP,CER.CP 0.1uF/25V
C592	08E37118S01	CAP,CER.CP 220pF/50V
C593	08T55401W48	CAP,METAL 0.18uF/50V
C595	08S35350Y04	CAP,CER.CP 1uF/16V
C596	08S35349Y16	CAP,CER.CP 1uF/10V
C597	08T81833F10	CAP,CER.CP 10uF/6.3V
C598	08E37115S01	CAP,CER.CP 33pF/50V
C599	08E37152S01	CAP,CER.CP 560pF/50V
C600	08E37121S01	CAP,CER.CP 22nF/50V
C601	08E37123S01	CAP,CER.CP 0.33/16V
C602	08E37153S01	CAP,CER.CP 1nF/50V
C603	08E37122S01	CAP,CER.CP 0.1uF/25V
C604	08E37122S01	CAP,CER.CP 0.1uF/25V
C605	08E37121S01	CAP,CER.CP 22nF/50V
C606	08T81833F12	CAP,CER.CP 10uF/10V
C607	08E37122S01	CAP,CER.CP 0.1uF/25V
C608	08T81833F12	CAP,CER.CP 10uF/10V
C609	08E37153S01	CAP,CER.CP 1nF/50V
C610	08E37117S01	CAP,CER.CP 100pF/50V
C611	08E37150S01	CAP,CER.CP 330pF/50V
C612	08E37118S01	CAP,CER.CP 220pF/50V

C614	08E37123S01	CAP,CER.CP 0.33/16V
C615	08E37154S01	CAP,CER.CP 4.7nF/50V
C616	08E37154S01	CAP,CER.CP 4.7nF/50V
C617	08E37154S01	CAP,CER.CP 4.7nF/50V
C618	08E37154S01	CAP,CER.CP 4.7nF/50V
C619	08E37119S01	CAP,CER.CP 680pF/50V
C620	08E37119S01	CAP,CER.CP 680pF/50V
C621	08E37119S01	CAP,CER.CP 680pF/50V
C622	08E37119S01	CAP,CER.CP 680pF/50V
C623	08E37122S01	CAP,CER.CP 0.1uF/25V
C624	08E37122S01	CAP,CER.CP 0.1uF/25V
C625	08E37121S01	CAP,CER.CP 22nF/50V
C626	08E37122S01	CAP,CER.CP 0.1uF/25V
C627	08E37121S01	CAP,CER.CP 22nF/50V
C628	08E37120S01	CAP,CER.CP 10nF/50V
C631	08E37117S01	CAP,CER.CP 100pF/50V
C632	08E37120S01	CAP,CER.CP 10nF/50V
C633	08E37120S01	CAP,CER.CP 10nF/50V
C634	08E37121S01	CAP,CER.CP 22nF/50V
C635	08E37121S01	CAP,CER.CP 22nF/50V
C636	08E37121S01	CAP,CER.CP 22nF/50V
CB502	09E37199S01	WTB,02P-1.25mm ANG-S
CB503	09E37193S01	FFC,32P-0.5 ANG-S
CB504	09T85214W02	WTB,8P-8mm ANG-S
CB506	09T55174Y07	FFC,7P-1 ANG-S
CB509	09T25261Y04	FFC,SFW4R-1STE1
CL500	91T55456Y05	RESONATOR,8MHz
D501	48T15540Y01	DIODE,MA2S111
D502	48E37124S01	DIODE,ARRAY DA204K
D503	48E37124S01	DIODE,ARRAY DA204K
D504	48E37124S01	DIODE,ARRAY DA204K
D505	48E37124S01	DIODE,ARRAY DA204K
E500	23E37202S01	CAP,ELY 100uF/16V
E501	23E37182S01	CAP,ELY 330uF/25V
E502	23E37182S01	CAP,ELY 330uF/25V
E503	23E37180S01	CAP,ELY 100uF/10V
E504	23E37180S01	CAP,ELY 100uF/10V
E505	23E37180S01	CAP,ELY 100uF/10V
E506	23E37180S01	CAP,ELY 100uF/10V
E507	23E37205S01	CAP,ELY 100uF/25V
E508	23E37205S01	CAP,ELY 100uF/25V
E509	23E37202S01	CAP,ELY 100uF/16V
E512	23E37177S01	CAP,ELY 100uF/6.3V
E513	23E37177S01	CAP,ELY 100uF/6.3V
E514	23E37177S01	CAP,ELY 100uF/6.3V
E515	23E37205S01	CAP,ELY 100uF/25V
E516	23E37180S01	CAP,ELY 100uF/10V
E518	23E37176S01	CAP,ELY 33uF/10V
E520	23E37180S01	CAP,ELY 100uF/10V
E521	23E37180S01	CAP,ELY 100uF/10V
F500	65T75074Y08	FUSE,1.6A
IC500	51T85196W04	IC,TC7W14FU
IC501	51T25449Y01	IC,AN8018SA
IC502	51E37184S01	IC,NJM2529FN1
IC503	51E37148S01	IC,BA05SFP
IC504	51E37186S01	IC,BU2505FV
IC505	51T25406Y02	IC,TC7W34FK



IC506	51T45577Y01	IC,LZ9GH29
IC507	51T15724Y04	IC,AN79L05M
IC508	51E37147S01	IC,NJM2107F
IC509	51E37148S01	IC,BA05SFP
IC511	51T75197W07	IC,AN77L07M
IC512	51E37185S01	IC,TECHBES
IC516	51T25238Y02	IC,TC7SH32FU
IC517	51E37183S01	IC,NJM2880U05
IC518	51T25238Y02	IC,TC7SH32FU
L500	24T16403W15	INDUCTOR,1uH
L501	24T95202W19	INDUCTOR,330uH
L502	24T95202W21	INDUCTOR,470uH
L503	24T35482Y01	COIL,RF VTR FSDV
L504	24T16403W27	INDUCTOR,10uH
L505	24T16403W27	INDUCTOR,10uH
L506	24E37089S01	INDUCTOR,68uH
L507	24T16403W19	INDUCTOR,2.2uH
L508	24T16403W19	INDUCTOR,2.2uH
L509	24T16403W29	INDUCTOR,15uH
L510	24T25578Y11	INDUCTOR,68uH
L511	24T25164Y18	INDUCTOR,2.7uH
L512	24T16403W19	INDUCTOR,2.2uH
L513	24T16403W19	INDUCTOR,2.2uH
L514	24T16403W27	INDUCTOR,10uH
L515	24T16403W27	INDUCTOR,10uH
L516	24T16403W27	INDUCTOR,10uH
L517	24T16403W27	INDUCTOR,10uH
Q501	48E37187S01	TR,2SA1735
Q502	48E37201S01	TR,2SC4540
Q503	48E37125S01	TR,2SA1298Y
Q504	48E37126S01	TR,2SC3265
Q505	48E37128S01	TR,2SD1782K
Q506	48T45594W12	TR,XN1A312
Q507	48T45594W16	TR,XN1A311
Q508	48E37156S01	TR,DTC124EE
Q509	48E37156S01	TR,DTC124EE
Q510	48E37157S01	TR,FMY1A
Q511	48E37191S01	TR,2SD1760
Q512	48E37191S01	TR,2SD1760
Q513	48E37158S01	TR,2SC2411K
Q516	48E37188S01	TR,DTC144EE
Q517	48E37190S01	TR,2SB1198K
Q518	48E36597S01	TR,DTA124EKA
Q519	48E36597S01	TR,DTA124EKA
Q520	48E37127S01	TR,DTC124TK
Q521	48E36597S01	TR,DTA124EKA
Q522	48E37127S01	TR,DTC124TK
Q523	48E37160S01	TR,2SC2412K
Q524	48E37097S01	TR,DTC114EE
Q525	48E37097S01	TR,DTC114EE
R500	06E37144S01	RES,CARBON 220K-1/16
R508	06E37167S01	RES,CARBON 2.2K-1/16
R509	06E37169S01	RES,CARBON 1.8K-1/16
R511	06E37094S01	RES,CARBON 1K-1/16W
R513	06E37110S01	RES,CARBON 10K-1/16W
R514	06E37110S01	RES,CARBON 10K-1/16W
R515	06E37134S01	RES,CARBON 470-1/16W

R516	06E37094S01	RES,CARBON 1K-1/16W
R517	06E37111S01	RES,CARBON 27K-1/16W
R518	06E37114S01	RES,CARBON 68K-1/16W
R519	06E37114S01	RES,CARBON 68K-1/16W
R520	06E37114S01	RES,CARBON 68K-1/16W
R521	06E37113S01	RES,CARBON 47K-1/16W
R522	06E37168S01	RES,CARBON 33K-1/16W
R525	06E37197S01	RES,CARBON 12K-1/16W
R527	06E37135S01	RES,CARBON 560-1/16W
R528	06E37132S01	RES,CARBON 560-1/4W
R530	06E37129S01	RES,CARBON 2.2-1/4W
R531	06E37091S01	RES,CARBON 47-1/16W
R532	06E37129S01	RES,CARBON 2.2-1/4W
R533	06E37091S01	RES,CARBON 47-1/16W
R535	06E37090S01	RES,CARBON 1.2K-1/4W
R536	06E37101S01	RES,CARBON 16K-1/16W
R537	06E37106S01	RES,CARBON 10M-1/16W
R538	06E37137S01	RES,CARBON 5.6K-1/16
R539	06E37138S01	RES,CARBON 8.2K-1/16
R540	06E37141S01	RES,CARBON 1M-1/16W
R541	06E37142S01	RES,CARBON 12K-1/16W
R542	06E37103S01	RES,CARBON 22K-1/16W
R543	06E37103S01	RES,CARBON 22K-1/16W
R544	06E37166S01	RES,CARBON 1.8K-1/16
R548	06E37095S01	RES,CARBON 1.2K-1/16
R549	06E37096S01	RES,CARBON 4.7K-1/16
R550	06E37104S01	RES,CARBON 910K-1/16
R551	06E37094S01	RES,CARBON 1K-1/16W
R552	06E37094S01	RES,CARBON 1K-1/16W
R554	06E37098S01	RES,CARBON 10K-1/16W
R555	06E37104S01	RES,CARBON 910K-1/16
R556	06E37134S01	RES,CARBON 470-1/16W
R557	06E37094S01	RES,CARBON 1K-1/16W
R560	06E37095S01	RES,CARBON 1.2K-1/16
R561	06E37146S01	RES,CARBON 100-1/16W
R562	06E37146S01	RES,CARBON 100-1/16W
R566	06E37146S01	RES,CARBON 100-1/16W
R567	06E37146S01	RES,CARBON 100-1/16W
R568	06E37146S01	RES,CARBON 100-1/16W
R569	06E37146S01	RES,CARBON 100-1/16W
R570	06E37146S01	RES,CARBON 100-1/16W
R571	06E37146S01	RES,CARBON 100-1/16W
R572	06E37146S01	RES,CARBON 100-1/16W
R573	06E37146S01	RES,CARBON 100-1/16W
R574	06E37098S01	RES,CARBON 10K-1/16W
R577	06E37098S01	RES,CARBON 10K-1/16W
R578	06E37140S01	RES,CARBON 47K-1/16W
R581	06E37109S01	RES,CARBON 4.7K-1/16
R582	06E37110S01	RES,CARBON 10K-1/16W
R583	06E37139S01	RES,CARBON 18K-1/16W
R584	06E37112S01	RES,CARBON 30K-1/16W
R585	06E37144S01	RES,CARBON 220K-1/16
R586	06E37098S01	RES,CARBON 10K-1/16W
R587	06E37146S01	RES,CARBON 100-1/16W
R588	06E37092S01	RES,CARBON 68-1/16W
R589	06E37136S01	RES,CARBON 2.7K-1/16
R590	06E37100S01	RES,CARBON 13K-1/16W

R591	06E37141S01	RES,CARBON 1M-1/16W
R592	06E37113S01	RES,CARBON 47K-1/16W
R593	06E37133S01	RES,CARBON 390-1/16W
R594	06E37099S01	RES,CARBON 3.6K-1/16
R595	06E37114S01	RES,CARBON 68K-1/16W
R596	06E37093S01	RES,CARBON 5.6K-1/16
R597	06E37143S01	RES,CARBON 24K-1/16W
R598	06E37164S01	RES,CARBON 820-1/4W
R599	06E37101S01	RES,CARBON 16K-1/16W
R600	06E37161S01	RES,CARBON 68K-1/16W
R601	06E37141S01	RES,CARBON 1M-1/16W
R602	06E37164S01	RES,CARBON 820-1/4W
R603	06E37145S01	RES,CARBON 560K-1/16
R604	06E37145S01	RES,CARBON 560K-1/16
R605	06E37139S01	RES,CARBON 18K-1/16W
R606	06E37137S01	RES,CARBON 5.6K-1/16
R607	06E37138S01	RES,CARBON 8.2K-1/16
R608	06E37136S01	RES,CARBON 2.7K-1/16
R609	06E37105S01	RES,CARBON 3.3K-1/16
R610	06E37108S01	RES,CARBON 330-1/16W
R611	06E37146S01	RES,CARBON 100-1/16W
R612	06E37096S01	RES,CARBON 4.7K-1/16
R617	06E36485S01	RES,CARBON 470-1/4W
R620	06E37098S01	RES,CARBON 10K-1/16W
R621	06E37094S01	RES,CARBON 1K-1/16W
R622	06E37094S01	RES,CARBON 1K-1/16W
R623	06E37094S01	RES,CARBON 1K-1/16W
R624	06E37094S01	RES,CARBON 1K-1/16W
R625	06E37138S01	RES,CARBON 8.2K-1/16
R626	06E37138S01	RES,CARBON 8.2K-1/16
R627	06E37138S01	RES,CARBON 8.2K-1/16
R628	06E37138S01	RES,CARBON 8.2K-1/16
R629	06E37102S01	RES,CARBON 20K-1/16W
R630	06E37103S01	RES,CARBON 22K-1/16W
R631	06E37103S01	RES,CARBON 22K-1/16W
R632	06E37103S01	RES,CARBON 22K-1/16W
R633	06E36485S01	RES,CARBON 470-1/4W
R634	06E36485S01	RES,CARBON 470-1/4W
R635	06E36485S01	RES,CARBON 470-1/4W
R636	06E36485S01	RES,CARBON 470-1/4W
R637	06E36485S01	RES,CARBON 470-1/4W
R638	06E36485S01	RES,CARBON 470-1/4W
R639	06E36485S01	RES,CARBON 470-1/4W
R640	06E36579S01	RES,CARBON 1K-1/4W
R641	06E36579S01	RES,CARBON 1K-1/4W
R642	06E36579S01	RES,CARBON 1K-1/4W
R643	06E36579S01	RES,CARBON 1K-1/4W
R644	06E37107S01	RES,CARBON 1-1/16W
R645	06E37107S01	RES,CARBON 1-1/16W
R646	06E37135S01	RES,CARBON 560-1/16W
R647	06E37095S01	RES,CARBON 1.2K-1/16
R651	06E37103S01	RES,CARBON 22K-1/16W
R652	06E36579S01	RES,CARBON 1K-1/4W
R653	06E36579S01	RES,CARBON 1K-1/4W
R654	06E37146S01	RES,CARBON 100-1/16W
R655	06E37146S01	RES,CARBON 100-1/16W
R656	06E37094S01	RES,CARBON 1K-1/16W

R659	06E37094S01	RES,CARBON 1K-1/16W
R660	06E37131S01	RES,CARBON 39-1/4W
R661	06E37130S01	RES,CARBON 36-1/4W
R662	06E37146S01	RES,CARBON 100-1/16W
R663	06E37096S01	RES,CARBON 4.7K-1/16
R664	06E37096S01	RES,CARBON 4.7K-1/16
RA500	06E37162S01	RES,ARRAY 100-1/16W
RA501	06E37163S01	RES,ARRAY 560-1/16W
RA502	06E37162S01	RES,ARRAY 100-1/16W
RA503	06E37162S01	RES,ARRAY 100-1/16W
SD500	48T15702W01	DIO,SHOT SB05-05CP
SD501	48T15702W01	DIO,SHOT SB05-05CP
SD502	48T25247Y01	DIODE,SHOTTKY MA716
T500	25E37192S01	TRANS,BLC-4204B
VD500	48T25248Y01	DIO,VARACTOR MA335
VR501	18E37171S01	VR,2.2K
VR502	18E37173S01	VR,4.7K
VR504	18E37174S01	VR,22K
VR510	18E37172S01	VR,100K
VR511	18E37171S01	VR,2.2K
XL500	91T35643Y01	X'TAL,3.57MHz
XL501	91T35643Y02	X'TAL,4.43MHz
ZD500	48T15541Y49	DIODE,ZENER MAZS5.1V
ZD501	48T15541Y52	DIO,ZENER MAZS0560M
ZD502	48T15541Y52	DIO,ZENER MAZS0560M
ZD503	48T15541Y52	DIO,ZENER MAZS0560M
ZD504	48T15541Y52	DIO,ZENER MAZS0560M
ZD505	48T15541Y52	DIO,ZENER MAZS0560M
ZD506	48T15541Y52	DIO,ZENER MAZS0560M
ZD507	48T15541Y52	DIO,ZENER MAZS0560M
ZD508	48T15541Y52	DIO,ZENER MAZS0560M
ZD509	48T15541Y52	DIO,ZENER MAZS0560M
ZD510	48T15541Y52	DIO,ZENER MAZS0560M
ZD511	48T15541Y52	DIO,ZENER MAZS0560M
ZD512	48T15541Y52	DIO,ZENER MAZS0560M
ZD513	48T15541Y52	DIO,ZENER MAZS0560M

## =====TOP KEY P.W.Board

C900	08S25666Y01	CAP,CER.CP 10uF/16V
C901	08S35349Y12	CAP,CER 1uF/6.3V
C902	08E37181S01	CAP,CER.CP 56nF/50V
CB901	09T55174Y07	FFC,7P,1,ANG-S
IC900	51T25419Y01	IC,RS-181
IC901	51E37147S01	IC,NJM2107F
LD900	48E37200S01	LED,SML512BC4T BLUE
PT900	51E37189S01	OPT SENSOR, RM-2012
Q900	48T73888F12	TR,FMC2-99
R901	06E37091S01	RES,CARBON 47-1/16W
R903	06E37096S01	RES,CARBON 4.7K-1/16
R904	06E37141S01	RES,CARBON 1M-1/16W
R905	06E37094S01	RES,CARBON 1K-1/16W
R909	06E37196S01	RES,CARBON 3K-1/16W
R910	06E37195S01	RES,CARBON 2K-1/16W
R911	06E36485S01	RES,CARBON 470-1/4W
R912	06E37204S01	RES,CARBON 180-1/4W
R913	06E37194S01	RES,CARBON 47-1/4W
R914	06E37146S01	RES,CARBON 100-1/16W

## TME-M770

R915	06E37096S01	RES,CARBON 4.7K-1/16
R916	06E37170S01	RES,CARBON 2.7K-1/16
R917	06E37165S01	RES,CARBON 3.9K-1/16
SW900	40T65353Y01	SW,TACT SKRSPACE010E2
SW901	40T65353Y01	SW,TACT SKRSPACE010E2
SW902	40T65353Y01	SW,TACT SKRSPACE010E2
ZD901	48T15541Y52	DIO,ZENER MAZS0560M

### =====Miscellaneous

CH500	09E37198S01	CONN,30P-0.5
LCD503	01T25528Y02	LCD,LQ065T5GG21B
SP1	50E37077S01	SPEAKER(1W)

## Electrical Parts List (AV Interface Unit)

\* Each parts on P.W.Board are described in order of the reference number.

=====A/V SELECTOR P.W.Board

C100	08E37117S01	CAP,CER.CP 100pF/50V
C101	08E37117S01	CAP,CER.CP 100pF/50V
C102	08E37150S01	CAP,CER.CP 330pF/50V
C103	08E37117S01	CAP,CER.CP 100pF/50V
C104	08E37117S01	CAP,CER.CP 100pF/50V
C105	08E37117S01	CAP,CER.CP 100pF/50V
C107	08E37117S01	CAP,CER.CP 100pF/50V
C108	08E37150S01	CAP,CER.CP 330pF/50V
C120	08E37270S01	CAP,CER.CP 18pF/50V
C121	08E37270S01	CAP,CER.CP 18pF/50V
C122	08E37270S01	CAP,CER.CP 18pF/50V
C123	08E37270S01	CAP,CER.CP 18pF/50V
C124	08E37271S01	CAP,CER.CP 22pF/50V
C125	08E37271S01	CAP,CER.CP 22pF/50V
C126	08E37271S01	CAP,CER.CP 22pF/50V
C127	08E37271S01	CAP,CER.CP 22pF/50V
C128	08E37271S01	CAP,CER.CP 22pF/50V
C129	08E37271S01	CAP,CER.CP 22pF/50V
C130	08E37271S01	CAP,CER.CP 22pF/50V
C131	08E37271S01	CAP,CER.CP 22pF/50V
C132	08E37271S01	CAP,CER.CP 22pF/50V
C133	08E37271S01	CAP,CER.CP 22pF/50V
C134	08E37121S01	CAP,CER.CP 22nF/50V
C135	08E37122S01	CAP,CER.CP 0.1uF/25V
C136	08E37122S01	CAP,CER.CP 0.1uF/25V
C137	08E37122S01	CAP,CER.CP 0.1uF/25V
C138	08E37121S01	CAP,CER.CP 22nF/50V
C139	08E37121S01	CAP,CER.CP 22nF/50V
C141	08E37121S01	CAP,CER.CP 22nF/50V
C142	08E37122S01	CAP,CER.CP 0.1uF/25V
C143	08E37265S01	CAP,CER.CP 8pF/50V
C144	08E37265S01	CAP,CER.CP 8pF/50V
C149	08E37123S01	CAP,CER.CP 0.33/16V
C151	08E37121S01	CAP,CER.CP 22nF/50V
C152	08E37121S01	CAP,CER.CP 22nF/50V
C153	08E37121S01	CAP,CER.CP 22nF/50V
C154	08E37123S01	CAP,CER.CP 0.33/16V
C155	08E37122S01	CAP,CER.CP 0.1uF/25V
C156	08E37121S01	CAP,CER.CP 22nF/50V
C158	08E37154S01	CAP,CER.CP
C160	08E37122S01	CAP,CER.CP 0.1uF/25V
C161	08E37123S01	CAP,CER.CP 0.33/16V
C162	08E37122S01	CAP,CER.CP 0.1uF/25V
C163	08E37121S01	CAP,CER.CP 22nF/50V
C164	08E37267S01	CAP,CER.CP 47nF/25V
C166	08E37120S01	CAP,CER.CP 10nF/50V
C168	08E37123S01	CAP,CER.CP 0.33/16V
C169	08E37120S01	CAP,CER.CP 10nF/50V
C170	08E37121S01	CAP,CER.CP 22nF/50V
C171	08E37121S01	CAP,CER.CP 22nF/50V
C172	08E37123S01	CAP,CER.CP 0.33/16V

C174	08E37121S01	CAP,CER.CP 22nF/50V
C175	08E37120S01	CAP,CER.CP 10nF/50V
C176	08E37121S01	CAP,CER.CP 22nF/50V
C177	08E37121S01	CAP,CER.CP 22nF/50V
C178	08E37121S01	CAP,CER.CP 22nF/50V
C179	08E37122S01	CAP,CER.CP 0.1uF/25V
C180	08E37218S01	CAP,CER.CP 0.1uF/50V
C181	08E37122S01	CAP,CER.CP 0.1uF/25V
C182	08E37122S01	CAP,CER.CP 0.1uF/25V
C185	08E37121S01	CAP,CER.CP 22nF/50V
C186	08E37121S01	CAP,CER.CP 22nF/50V
C187	08E37121S01	CAP,CER.CP 22nF/50V
C188	08E37122S01	CAP,CER.CP 0.1uF/25V
C189	08E37153S01	CAP,CER.CP 1nF/50V
C190	08E37153S01	CAP,CER.CP 1nF/50V
C191	08E37117S01	CAP,CER.CP 100pF/50V
C192	08E37121S01	CAP,CER.CP 22nF/50V
C193	08E37122S01	CAP,CER.CP 0.1uF/25V
C194	08E36473S01	CAP,CER.CP 1uF/10V
C199	08E37268S01	CAP,CER.CP 120pF/50V
C201	08E37121S01	CAP,CER.CP 22nF/50V
C202	08E37121S01	CAP,CER.CP 22nF/50V
C203	08E37121S01	CAP,CER.CP 22nF/50V
C204	08E37150S01	CAP,CER.CP 330pF/50V
C206	08E37121S01	CAP,CER.CP 22nF/50V
C207	08E37269S01	CAP,CER.CP 68nF/25V
C210	08E37266S01	CAP,CER.CP 15nF/50V
C211	08E37153S01	CAP,CER.CP 1nF/50V
C212	08E37272S01	CAP,CER.CP 150pF/50V
C214	08E37121S01	CAP,CER.CP 22nF/50V
C225	08E37117S01	CAP,CER.CP 100pF/50V
C227	08E37215S01	CAP,CER.CP 15pF/50V
C229	08E37121S01	CAP,CER.CP 22nF/50V
C230	08E37121S01	CAP,CER.CP 22nF/50V
C231	08E37121S01	CAP,CER.CP 22nF/50V
C232	08E37122S01	CAP,CER.CP 0.1uF/25V
C236	08E37121S01	CAP,CER.CP 22nF/50V
C237	08E37153S01	CAP,CER.CP 1nF/50V
C244	08E37121S01	CAP,CER.CP 22nF/50V
C245	08E37121S01	CAP,CER.CP 22nF/50V
C246	08E36473S01	CAP,CER.CP 1uF/10V
C247	08E37122S01	CAP,CER.CP 0.1uF/25V
C248	08E37121S01	CAP,CER.CP 22nF/50V
C249	08E37121S01	CAP,CER.CP 22nF/50V
C250	08E37121S01	CAP,CER.CP 22nF/50V
C254	08E37121S01	CAP,CER.CP 22nF/50V
C257	08E37122S01	CAP,CER.CP 0.1uF/25V
C258	08E37122S01	CAP,CER.CP 0.1uF/25V
C259	08E37122S01	CAP,CER.CP 0.1uF/25V
C260	08E37122S01	CAP,CER.CP 0.1uF/25V
C263	08E37121S01	CAP,CER.CP 22nF/50V
C264	08S35349Y16	CAP,CER.CP 1uF/10V
C265	08S35349Y16	CAP,CER.CP 1uF/10V
C266	08S35349Y16	CAP,CER.CP 1uF/10V
C267	08S35349Y16	CAP,CER.CP 1uF/10V
C268	08S35349Y16	CAP,CER.CP 1uF/10V
C269	08S35349Y16	CAP,CER.CP 1uF/10V

C270	08E37121S01	CAP,CER.CP 22nF/50V
C271	08E37121S01	CAP,CER.CP 22nF/50V
C272	08E37121S01	CAP,CER.CP 22nF/50V
C273	08E37121S01	CAP,CER.CP 22nF/50V
C274	08E37120S01	CAP,CER.CP 10nF/50V
C275	08E37120S01	CAP,CER.CP 10nF/50V
C276	08E37122S01	CAP,CER.CP 0.1uF/25V
C277	08E37153S01	CAP,CER.CP 1nF/50V
C278	08E37120S01	CAP,CER.CP 10nF/50V
C279	08E37120S01	CAP,CER.CP 10nF/50V
C280	08E37122S01	CAP,CER.CP 0.1uF/25V
C281	08E37120S01	CAP,CER.CP 10nF/50V
C282	08E37120S01	CAP,CER.CP 10nF/50V
C284	08E37178S01	CAP,CER.CP 0.47/16V
C285	08E37178S01	CAP,CER.CP 0.47/16V
C286	08E37121S01	CAP,CER.CP 22nF/50V
C287	08E37117S01	CAP,CER.CP 100pF/50V
C289	08E37120S01	CAP,CER.CP 10nF/50V
C290	08E37152S01	CAP,CER.CP 560pF/50V
C291	08S35349Y16	CAP,CER.CP 1uF/10V
CB101	09E37216S01	WTB,6P 1.25mm VER-S
CL100	91T45289W02	OSC CLK,503KHz
D100	48E37210S01	DIODE,1SS133
D101	48T25651W02	DIODE,MA152WK
D102	48T25651W01	DIODE,MA152WA
D103	48T25651W02	DIODE,MA152WK
E100	23S75373W02	CAP,ELY 10uF/16V
E101	23S75373W02	CAP,ELY 10uF/16V
E102	23S75373W02	CAP,ELY 10uF/16V
E103	23S75373W02	CAP,ELY 10uF/16V
E104	23T75478W11	CAP,ELY 100uF/10V
E105	23T75478W11	CAP,ELY 100uF/10V
E106	23T75478W11	CAP,ELY 100uF/10V
E107	23T75478W11	CAP,ELY 100uF/10V
E108	23S75373W02	CAP,ELY 10uF/16V
E109	23S75373W03	CAP,ELY 22uF/16V
E110	23S75373W03	CAP,ELY 22uF/16V
E111	23S75373W03	CAP,ELY 22uF/16V
E112	23S75373W03	CAP,ELY 22uF/16V
E113	23S75373W03	CAP,ELY 22uF/16V
E114	23S75373W02	CAP,ELY 10uF/16V
E117	23S75373W01	CAP,ELY 220uF/6.3V
E118	23S75373W02	CAP,ELY 10uF/16V
E121	23S75373W02	CAP,ELY 10uF/16V
E124	23S75373W14	CAP,ELY 2.2uF/50V
E125	23S75373W14	CAP,ELY 2.2uF/50V
E126	23S75373W02	CAP,ELY 10uF/16V
E127	23S75373W13	CAP,ELY 1uF/50V
E128	23S75373W03	CAP,ELY 22uF/16V
E129	23S75373W13	CAP,ELY 1uF/50V
E131	23S75373W02	CAP,ELY 10uF/16V
E134	23T75478W11	CAP,ELY 100uF/10V
E136	23S75373W03	CAP,ELY 22uF/16V
E137	23S75373W03	CAP,ELY 22uF/16V
E138	23T75478W14	CAP,ELY 470uF/10V
E141	23S75373W13	CAP,ELY 1uF/50V
E142	23S75373W13	CAP,ELY 1uF/50V



E143	23S75373W02	CAP,ELY 10uF/16V
E145	23S75373W13	CAP,ELY 1uF/50V
E146	23S75373W07	CAP,ELY 4.7uF/25V
E148	23S75373W05	CAP,ELY 47uF/16V
E149	23S95415W07	CAP,ELY 220uF/16V
E150	23T75479W28	CAP,ELY 1000uF/16V
E152	23S75373W13	CAP,ELY 1uF/50V
E153	23S75373W13	CAP,ELY 1uF/50V
E154	23T75478W11	CAP,ELY 100uF/10V
E155	23S75373W07	CAP,ELY 4.7uF/25V
E159	23S75373W02	CAP,ELY 10uF/16V
E160	23S75373W02	CAP,ELY 10uF/16V
E161	23T75479W28	CAP,ELY 1000uF/16V
E162	23T75479W28	CAP,ELY 1000uF/16V
E163	23T75479W28	CAP,ELY 1000uF/16V
E167	23S75373W07	CAP,ELY 4.7uF/25V
E168	23S75373W13	CAP,ELY 1uF/50V
E169	23S75373W13	CAP,ELY 1uF/50V
E170	23S75373W13	CAP,ELY 1uF/50V
E171	23S75373W13	CAP,ELY 1uF/50V
E172	23S75373W13	CAP,ELY 1uF/50V
E173	23S75373W13	CAP,ELY 1uF/50V
E174	23S75373W13	CAP,ELY 1uF/50V
E175	23S75373W13	CAP,ELY 1uF/50V
E176	23S75373W13	CAP,ELY 1uF/50V
E177	23S75373W13	CAP,ELY 1uF/50V
E178	23S75373W07	CAP,ELY 4.7uF/25V
E179	23T75478W11	CAP,ELY 100uF/10V
E180	23T75478W11	CAP,ELY 100uF/10V
E181	23T75478W11	CAP,ELY 100uF/10V
E182	23T75478W11	CAP,ELY 100uF/10V
E183	23T75478W11	CAP,ELY 100uF/10V
E184	23T75478W11	CAP,ELY 100uF/10V
E185	23T75478W11	CAP,ELY 100uF/10V
E186	23T75478W11	CAP,ELY 100uF/10V
E187	23T75478W11	CAP,ELY 100uF/10V
E188	23T75478W11	CAP,ELY 100uF/10V
E189	23S75373W07	CAP,ELY 4.7uF/25V
E190	23S75373W07	CAP,ELY 4.7uF/25V
E191	23S75373W07	CAP,ELY 4.7uF/25V
E192	23S75373W07	CAP,ELY 4.7uF/25V
E193	23S75373W07	CAP,ELY 4.7uF/25V
E194	23S75373W07	CAP,ELY 4.7uF/25V
E196	23S75373W13	CAP,ELY 1uF/50V
E197	23T75479W28	CAP,ELY 1000uF/16V
E198	23S75373W13	CAP,ELY 1uF/50V
IC100	51E37263S01	IC,NJM2130F
IC101	51E37240S01	IC,NJM2060
IC102	51T35644Y01	IC,CXA2069Q
IC103	51T96065F02	IC,M51957BFP
IC104	51T15192Y01	IC,TC74VHC14FT
IC105	51E37242S01	IC,ATMEGA128
IC109	51E37241S01	IC,NJM2172V
IC110	51E37238S01	IC,BA09SFP
IC111	51E37148S01	IC,BA05SFP
IC112	51E37237S01	IC,BD9776HF
IC113	51E37211S01	IC,NJM386BD

IC114	51E37148S01	IC,BA05SFP
IC115	51E37239S01	IC,BA033SFP
IC116	51E37148S01	IC,BA05SFP
IC117	51E37243S01	IC,BH2220FVM
IC118	51T15614Y01	IC,TC74HC4051AFT
IC119	51T15614Y01	IC,TC74HC4051AFT
IC120	51T15614Y01	IC,TC74HC4051AFT
IC121	51E37212S01	IC,LA7950
IC122	51T15523Y01	IC,TLC2932
IC123	51T55353W07	IC,TC7W74F
IC124	51T85196W04	IC,TC7W14FU
IC125	51T35464Y01	IC,TC74VHC4040FT
IC126	51T25406Y02	IC,TC7W34FK
IC127	51E37217S01	IC,NJW1303V
IC128	51T15194Y01	IC,TC74VHC08AFT
IC129	51T15194Y01	IC,TC74VHC08AFT
IC131	51T25151Y01	IC,TC74VHC221AFS
IC132	51E37235S01	IC,BA7606FS
IC133	51T65562Y03	IC,LC74735NWH
IC134	51T15193Y01	IC,TC74VHCT00AFT
IC136	51T25238Y02	IC,TC7SH32FU
IC137	51T25404Y02	IC,TC7W53FU
IC139	51T15206Y01	IC,TC7WH04FU
IC140	51T45407Y01	IC,TC7SH86FU
IC141	51E37236S01	IC,NJM2871F03
IC142	51T25330Y01	IC,TC7WH123FU
IC143	51E37244S01	IC,NJM2777M
L100	24T95457W16	INDUCTOR,BLM21AH102
L101	24T95457W16	INDUCTOR,BLM21AH102
L102	24T16403W15	INDUCTOR,1uH
L103	24T85339W17	INDUCTOR,220uH
L104	24T85339W13	INDUCTOR,100uH
L105	24E37213S01	COIL,CHOKE 1.5mH
L106	24T95456W12	FBI,BLM18AG102SH1
L107	24T95456W12	FBI,BLM18AG102SH1
L108	24T95456W01	INDUCTOR,0.05uH
Q100	48E37233S01	TR,2SC4617
Q101	48E37233S01	TR,2SC4617
Q102	48E37233S01	TR,2SC4617
Q103	48E37233S01	TR,2SC4617
Q104	48E37233S01	TR,2SC4617
Q105	48E37219S01	TR,2SA1774TL
Q106	48E37219S01	TR,2SA1774TL
Q107	48E37219S01	TR,2SA1774TL
Q108	48E37219S01	TR,2SA1774TL
Q109	48E37219S01	TR,2SA1774TL
Q110	48E37233S01	TR,2SC4617
Q111	48E37233S01	TR,2SC4617
Q112	48E37233S01	TR,2SC4617
Q113	48E37233S01	TR,2SC4617
Q114	48E37233S01	TR,2SC4617
Q116	48E37097S01	TR,DTC114EE
Q117	48E36571S01	TR,2SC2412K
Q118	48E36571S01	TR,2SC2412K
Q121	48E37273S01	TR,DTC114TE
Q123	48E37234S01	TR,DTC114EKA
Q124	48T62967F03	TR,DTC124EKA

Q125	48E36572S01	TR,DTC124EKA
Q126	48T64221F11	TR,UN211L-TX
Q127	48T64221F11	TR,UN211L-TX
Q129	48T25317Y01	TR,XNOF256
Q134	48E37219S01	TR,4.7nF/50V
Q135	48E37219S01	TR,4.7nF/50V
Q136	48E37219S01	TR,4.7nF/50V
Q137	48E37156S01	TR,DTC124EE
Q138	48E37248S01	TR,FMC2
Q139	48E37156S01	TR,DTC124EE
Q140	48E37097S01	TR,DTC114EE
Q141	48E37273S01	TR,DTC114TE
Q143	48T64221F11	TR,UN211L-TX
Q144	48E37156S01	TR,DTC124EE
Q145	48E37248S01	TR,FMC2
Q146	48E37248S01	TR,FMC2
R100	06E37130S01	RES,CARBON 36-1/4W
R101	06E37250S01	RES,CARBON 39-1/4W
R102	06E37130S01	RES,CARBON 36-1/4W
R103	06E37250S01	RES,CARBON 39-1/4W
R104	06E37130S01	RES,CARBON 36-1/4W
R105	06E37131S01	RES,CARBON 39-1/4W
R106	06E37098S01	RES,CARBON 10K-1/16W
R107	06E37130S01	RES,CARBON 36-1/4W
R108	06E37131S01	RES,CARBON 39-1/4W
R109	06E37130S01	RES,CARBON 36-1/4W
R110	06E37131S01	RES,CARBON 39-1/4W
R111	06E37130S01	RES,CARBON 36-1/4W
R112	06E37131S01	RES,CARBON 39-1/4W
R113	06E37252S01	RES,CARBON 22K-1/16
R114	06E37264S01	RES,CARBON 39K-1/16W
R115	06E37142S01	RES,CARBON 12K-1/16W
R116	06E37110S01	RES,CARBON 10K-1/16W
R117	06E37111S01	RES,CARBON 27K-1/16W
R118	06E37142S01	RES,CARBON 12K-1/16W
R119	06E37110S01	RES,CARBON 10K-1/16W
R120	06E37111S01	RES,CARBON 27K-1/16W
R121	06E37142S01	RES,CARBON 12K-1/16W
R122	06E37110S01	RES,CARBON 10K-1/16W
R123	06E37111S01	RES,CARBON 27K-1/16W
R124	06E37142S01	RES,CARBON 12K-1/16W
R125	06E37110S01	RES,CARBON 10K-1/16W
R126	06E37111S01	RES,CARBON 27K-1/16W
R127	06E37252S01	RES,CARBON 22K-1/16
R128	06E37252S01	RES,CARBON 22K-1/16
R129	06E37225S01	RES,CARBON 1.5K-1/16
R130	06E37169S01	RES,CARBON 1.8K-1/16
R131	06E37262S01	RES,CARBON 470-1/16W
R132	06E37247S01	RES,CARBON 820-/16W
R133	06E37262S01	RES,CARBON 470-1/16W
R134	06E37247S01	RES,CARBON 820-/16W
R135	06E37262S01	RES,CARBON 470-1/16W
R136	06E37247S01	RES,CARBON 820-/16W
R137	06E37262S01	RES,CARBON 470-1/16W
R138	06E37247S01	RES,CARBON 820-/16W
R139	06E37231S01	RES,CARBON 180K-1/16
R140	06E37231S01	RES,CARBON 180K-1/16

R141	06E37231S01	RES,CARBON 180K-1/16
R142	06E37231S01	RES,CARBON 180K-1/16
R143	06E37252S01	RES,CARBON 22K-1/16
R144	06E37252S01	RES,CARBON 22K-1/16
R145	06E37252S01	RES,CARBON 22K-1/16
R146	06E37252S01	RES,CARBON 22K-1/16
R147	06E37252S01	RES,CARBON 22K-1/16
R148	06E37252S01	RES,CARBON 22K-1/16
R149	06E37252S01	RES,CARBON 22K-1/16
R150	06E37252S01	RES,CARBON 22K-1/16
R151	06E37252S01	RES,CARBON 22K-1/16
R152	06E37259S01	RES,CARBON 6.8K-1/16
R153	06E37259S01	RES,CARBON 6.8K-1/16
R154	06E37226S01	RES,CARBON 1.2K-1/16
R155	06E37224S01	RES,CARBON 2K-1/16W
R156	06E37228S01	RES,CARBON 510-1/16W
R157	06E37227S01	RES,CARBON 1K-1/16W
R158	06E37228S01	RES,CARBON 510-1/16W
R159	06E37227S01	RES,CARBON 1K-1/16W
R160	06E37228S01	RES,CARBON 510-1/16W
R161	06E37227S01	RES,CARBON 1K-1/16W
R162	06E37228S01	RES,CARBON 510-1/16W
R163	06E37227S01	RES,CARBON 1K-1/16W
R164	06E37229S01	RES,CARBON 100-1/16W
R165	06E37229S01	RES,CARBON 100-1/16W
R166	06E37229S01	RES,CARBON 100-1/16W
R167	06E37229S01	RES,CARBON 100-1/16W
R168	06E37229S01	RES,CARBON 100-1/16W
R169	06E37252S01	RES,CARBON 22K-1/16
R171	06E37252S01	RES,CARBON 22K-1/16
R172	06E37252S01	RES,CARBON 22K-1/16
R173	06E37252S01	RES,CARBON 22K-1/16
R174	06E37252S01	RES,CARBON 22K-1/16
R175	06E37221S01	RES,CARBON 1K-1/4W
R176	06E37221S01	RES,CARBON 1K-1/4W
R177	06E37221S01	RES,CARBON 1K-1/4W
R178	06E37227S01	RES,CARBON 1K-1/16W
R179	06E37225S01	RES,CARBON 1.5K-1/16
R180	06E37225S01	RES,CARBON 1.5K-1/16
R181	06E37225S01	RES,CARBON 1.5K-1/16
R182	06E37225S01	RES,CARBON 1.5K-1/16
R183	06E37252S01	RES,CARBON 22K-1/16
R184	06E37252S01	RES,CARBON 22K-1/16
R185	06E37252S01	RES,CARBON 22K-1/16
R186	06E37252S01	RES,CARBON 22K-1/16
R187	06E37232S01	RES,CARBON 100K-1/16
R188	06E37259S01	RES,CARBON 6.8K-1/16
R189	06E37259S01	RES,CARBON 6.8K-1/16
R190	06E37259S01	RES,CARBON 6.8K-1/16
R191	06E37259S01	RES,CARBON 6.8K-1/16
R194	06E37094S01	RES,CARBON 1K-1/16W
R195	06E37094S01	RES,CARBON 1K-1/16W
R196	06E37094S01	RES,CARBON 1K-1/16W
R197	06E37094S01	RES,CARBON 1K-1/16W
R198	06E36624S01	RES,CARBON 56K-1/16W
R200	06E37146S01	RES,CARBON 100-1/16W
R201	06E37098S01	RES,CARBON 10K-1/16W

R202	06E37098S01	RES,CARBON 10K-1/16W
R204	06E37260S01	RES,CARBON 150K-1/16
R205	06E37223S01	RES,CARBON 220-1/16
R206	06E37223S01	RES,CARBON 220-1/16
R207	06E37098S01	RES,CARBON 10K-1/16W
R209	06E37146S01	RES,CARBON 100-1/16W
R210	06E37146S01	RES,CARBON 100-1/16W
R212	06E37254S01	RES,CARBON 75-1/16W
R213	06E37254S01	RES,CARBON 75-1/16W
R215	06E37204S01	RES,CARBON 180-1/4W
R216	06E37204S01	RES,CARBON 180-1/4W
R221	06E37254S01	RES,CARBON 75-1/16W
R222	06E37096S01	RES,CARBON 4.7K-1/16
R223	06E37254S01	RES,CARBON 75-1/16W
R224	06E37096S01	RES,CARBON 4.7K-1/16
R230	06E37098S01	RES,CARBON 10K-1/16W
R231	06E37098S01	RES,CARBON 10K-1/16W
R232	06E37098S01	RES,CARBON 10K-1/16W
R233	06E37276S01	RES,CARBON 3.9K-1/16
R234	06E37276S01	RES,CARBON 3.9K-1/16
R235	06E37261S01	RES,CARBON 390K-1/16
R236	06E37260S01	RES,CARBON 150K-1/16
R237	06E37143S01	RES,CARBON 24K-1/16W
R238	06E37275S01	RES,CARBON 3K-1/16W
R239	06E37258S01	RES,CARBON 6.2K-1/16
R240	06E37246S01	RES,CARBON 27K-1/16
R241	06E37255S01	RES,CARBON 10-1/16W
R242	06E37230S01	RES,CARBON 15K-1/16W
R243	06E37230S01	RES,CARBON 15K-1/16W
R244	06E37098S01	RES,CARBON 10K-1/16W
R245	06E37140S01	RES,CARBON 47K-1/16W
R248	06E36579S01	RES,CARBON 1K-1/4W
R249	06E37253S01	RES,CARBON 10K-1/4W
R250	06E36556S01	RES,CARBON 10K-1/4W
R251	06E37253S01	RES,CARBON 10K-1/4W
R252	06E37140S01	RES,CARBON 47K-1/16W
R253	06E36579S01	RES,CARBON 1K-1/4W
R254	06E37103S01	RES,CARBON 22K-1/16W
R255	06E37103S01	RES,CARBON 22K-1/16W
R258	06E36579S01	RES,CARBON 1K-1/4W
R259	06E37223S01	RES,CARBON 220-1/16
R260	06E37223S01	RES,CARBON 220-1/16
R263	06E37251S01	RES,CARBON 120-1/4W
R264	06E37251S01	RES,CARBON 120-1/4W
R265	06E37253S01	RES,CARBON 10K-1/4W
R267	06E36579S01	RES,CARBON 1K-1/4W
R268	06E36579S01	RES,CARBON 1K-1/4W
R274	06E37257S01	RES,CARBON 2.4K-1/16
R275	06E37277S01	RES,CARBON 750-1/16W
R276	06E37223S01	RES,CARBON 220-1/16
R277	06E37278S01	RES,CARBON 220K-1/16
R281	06E37245S01	RES,CARBON 0-1/16W
R285	06E37256S01	RES,CARBON 360-1/16
R286	06E37094S01	RES,CARBON 1K-1/16W
R287	06E37104S01	RES,CARBON 910K-1/16
R288	06E37146S01	RES,CARBON 100-1/16W
R289	06E37146S01	RES,CARBON 100-1/16W

R292	06E37146S01	RES,CARBON 100-1/16W
R294	06E37166S01	RES,CARBON 1.8K-1/16
R295	06E37146S01	RES,CARBON 100-1/16W
R296	06E37196S01	RES,CARBON 3K-1/16W
R297	06E37098S01	RES,CARBON 10K-1/16W
R298	06E37133S01	RES,CARBON 390-1/16
R299	06E37146S01	RES,CARBON 100-1/16W
R301	06E37222S01	RES,CARBON 150-1/16W
R304	06E37146S01	RES,CARBON 100-1/16W
R306	06E37146S01	RES,CARBON 100-1/16W
R307	06E37146S01	RES,CARBON 100-1/16W
R308	06E37146S01	RES,CARBON 100-1/16W
R309	06E37094S01	RES,CARBON 1K-1/16W
R310	06E37094S01	RES,CARBON 1K-1/16W
R311	06E37094S01	RES,CARBON 1K-1/16W
R312	06E37146S01	RES,CARBON 100-1/16W
R313	06E37146S01	RES,CARBON 100-1/16W
R314	06E37146S01	RES,CARBON 100-1/16W
R315	06E37146S01	RES,CARBON 100-1/16W
R317	06E37245S01	RES,CARBON 0-1/16W
R319	06E37245S01	RES,CARBON 0-1/16W
R320	06E37245S01	RES,CARBON 0-1/16W
R321	06E37245S01	RES,CARBON 0-1/16W
R328	06E37245S01	RES,CARBON 0-1/16W
R329	06E37220S01	RES,CARBON 3.9K-1/16
R330	06E37223S01	RES,CARBON 220-1/16
R331	06E37223S01	RES,CARBON 220-1/16
R332	06E37223S01	RES,CARBON 220-1/16
R333	06E37257S01	RES,CARBON 2.4K-1/16
R338	06E37146S01	RES,CARBON 100-1/16W
R342	06E37146S01	RES,CARBON 100-1/16W
R347	06E37245S01	RES,CARBON 0-1/16W
R349	06E37245S01	RES,CARBON 0-1/16W
R352	06E37094S01	RES,CARBON 1K-1/16W
R353	06E37223S01	RES,CARBON 220-1/16W
R356	06E36579S01	RES,CARBON 1K-1/4W
R357	06E36579S01	RES,CARBON 1K-1/4W
R358	06E36579S01	RES,CARBON 1K-1/4W
R359	06E36485S01	RES,CARBON 470-1/4W
R360	06E36485S01	RES,CARBON 470-1/4W
R361	06E36485S01	RES,CARBON 470-1/4W
R362	06E36485S01	RES,CARBON 470-1/4W
R363	06E36485S01	RES,CARBON 470-1/4W
R364	06E36485S01	RES,CARBON 470-1/4W
R365	06E37279S01	RES,CARBON 0-1/4W
R371	06E37280S01	RES,CARBON 10-1/4W
R372	06E37103S01	RES,CARBON 22K-1/16W
R373	06E37103S01	RES,CARBON 22K-1/16W
R374	06E37094S01	RES,CARBON 1K-1/16W
R375	06E37094S01	RES,CARBON 1K-1/16W
R376	06E37094S01	RES,CARBON 1K-1/16W
R380	06E36556S01	RES,CARBON 10K-1/4W
R381	06E37098S01	RES,CARBON 10K-1/16W
R386	06E37245S01	RES,CARBON 0-1/16W
R387	06E37103S01	RES,CARBON 22K-1/16W
R388	06E37103S01	RES,CARBON 22K-1/16W
R389	06E37098S01	RES,CARBON 10K-1/16W

R392	06E37098S01	RES,CARBON 10K-1/16W
R393	06E37092S01	RES,CARBON 68-1/16W
R394	06E36579S01	RES,CARBON 1K-1/4W
R395	06E36579S01	RES,CARBON 1K-1/4W
R396	06E36579S01	RES,CARBON 1K-1/4W
R397	06E36579S01	RES,CARBON 1K-1/4W
R398	06E36579S01	RES,CARBON 1K-1/4W
R399	06E36579S01	RES,CARBON 1K-1/4W
R400	06E37280S01	RES,CARBON 10-1/4W
R401	06E37249S01	RES,CARBON 75-1/4W
R402	06E37249S01	RES,CARBON 75-1/4W
R404	06E36579S01	RES,CARBON 1K-1/4W
R405	06E36579S01	RES,CARBON 1K-1/4W
R406	06E36579S01	RES,CARBON 1K-1/4W
R407	06E36579S01	RES,CARBON 1K-1/4W
R409	06E37230S01	RES,CARBON 15K-1/16W
R410	06E37230S01	RES,CARBON 15K-1/16W
R411	06E37098S01	RES,CARBON 10K-1/16W
R412	06E37098S01	RES,CARBON 10K-1/16W
R414	06E37094S01	RES,CARBON 1K-1/16W
R415	06E37094S01	RES,CARBON 1K-1/16W
R416	06E37146S01	RES,CARBON 100-1/16W
R417	06E37098S01	RES,CARBON 10K-1/16W
R418	06E37098S01	RES,CARBON 10K-1/16W
R419	06E37221S01	RES,CARBON 1K-1/4W
RA100	06E37162S01	RES,ARRAY 100-1/16W
RA101	06E37162S01	RES,ARRAY 100-1/16W
RA102	06E37162S01	RES,ARRAY 100-1/16W
RA103	06E37162S01	RES,ARRAY 100-1/16W
RA104	06E37162S01	RES,ARRAY 100-1/16W
RA106	06E37162S01	RES,ARRAY 100-1/16W
RA107	06E37162S01	RES,ARRAY 100-1/16W
RA108	06E37162S01	RES,ARRAY 100-1/16W
RA109	06E37162S01	RES,ARRAY 100-1/16W
RA110	06E37162S01	RES,ARRAY 100-1/16W
RA111	06E37162S01	RES,ARRAY 100-1/16W
RA112	06E37162S01	RES,ARRAY 100-1/16W
SD100	48E37274S01	DIODE,SHOTTKY RB050L
SW100	40T45557Y01	SW,SLIDE SSAC1
XL100	91T45637Y24	X'TAL,8MHz
Z100	91T45343Y02	EMI,CKD510JB1H221SCP
Z101	91T45343Y02	EMI,CKD510JB1H221SCP
Z102	91T45160Y01	FIL,EMI CNH31R473S
Z103	91T45556Y06	EMI,NFM21HC102R1H
Z104	91T45556Y06	EMI,NFM21HC102R1H
Z105	91T45556Y06	EMI,NFM21HC102R1H
ZD100	48T15541Y53	DIO,ZENER MAS5.80V
ZD101	48T15541Y53	DIO,ZENER MAS5.80V
ZD102	48T15541Y53	DIO,ZENER MAS5.80V
ZD103	48T15541Y52	DIO,ZENER MAZS0560M
ZD104	48T15541Y52	DIO,ZENER MAZS0560M
ZD105	48T15541Y52	DIO,ZENER MAZS0560M
ZD106	48T25064Y02	DIO,ZENER ZSH5MA27A
ZD107	48T15541Y52	DIO,ZENER MAZS0560M
ZD108	48T15541Y52	DIO,ZENER MAZS0560M
ZD109	48T15541Y52	DIO,ZENER MAZS0560M
ZD110	48T15541Y52	DIO,ZENER MAZS0560M

ZD111	48T15541Y52	DIO,ZENER MAZS0560M
ZD113	48T15541Y52	DIO,ZENER MAZS0560M
ZD114	48T15541Y52	DIO,ZENER MAZS0560M
ZD115	48T15541Y52	DIO,ZENER MAZS0560M
ZD116	48T15541Y52	DIO,ZENER MAZS0560M
ZD117	48T15541Y52	DIO,ZENER MAZS0560M
ZD118	48T15541Y52	DIO,ZENER MAZS0560M
ZD119	48T15541Y52	DIO,ZENER MAZS0560M
ZD120	48T15541Y52	DIO,ZENER MAZS0560M
ZD121	48T15541Y52	DIO,ZENER MAZS0560M
ZD122	48T15541Y52	DIO,ZENER MAZS0560M
ZD123	48T15541Y52	DIO,ZENER MAZS0560M
ZD124	48T15541Y52	DIO,ZENER MAZS0560M
ZD125	48T15541Y52	DIO,ZENER MAZS0560M
ZD126	48T15541Y52	DIO,ZENER MAZS0560M
ZD127	48T15541Y52	DIO,ZENER MAZS0560M
ZD128	48T15541Y52	DIO,ZENER MAZS0560M
ZD129	48T15541Y52	DIO,ZENER MAZS0560M
ZD130	48T15541Y52	DIO,ZENER MAZS0560M
ZD131	48T15541Y52	DIO,ZENER MAZS0560M

## =====Miscellaneous

CB100	09T13515W10	WTB,10-4.2 ANG-SN1
CH100	09E37198S01	CONN,30P-0.5
DIN100	09T15462Y02	DIN,TCS7741-01WA
JK100	09E37214S01	RCA,JACK S-456B-01
JK101	09E37214S01	RCA,JACK S-456B-01
JK102	09T84128F02	EARPHONE,3P
JK103	09E37214S01	RCA,JACK S-456B-01



## Cabinet Assembly Parts List (MONITOR Unit)

NOTE : The part that has not PART NUMBER will not be supplied.

1	-----	COVER,CAB-FRONT
2	-----	COVER,REAR
3	07E37283S01	BKT,MTG
5	01T75364Y03	TOUCH,EMU601A2A6(TOUCH PANEL)
6	33E37073S01	PLATE,NAME
7	14E37074S01	SHEET,LCD-A
8	75E37075S01	SPONGE,CUSHION(A)
9	75E37076S01	SPONGE,CUSHION(B)
10	30E37078S01	WIRE,FLAT(7P-40mm)
11	75E37079S01	SHEET,LCD-B
12	07E37080S01	BKT,PWB
13	75E37081S01	CUS,SHIELD GASKET
14	36E37082S01	KNOB,VOLUME
15	36E37083S01	KNOB,POWER
16	61E37084S01	WINDOW,REMO-CON
17	61E37085S01	LENS,LED
18	14E37087S01	SHEET,DIFFUSION
19	03E37281S01	SCR,M2X8 TPG2(BLK)
20	03E37282S01	SCR,M2X6TPG-TPT(BLK)
21	55E26706S01	SCR,M2X6TPG-TPT(BLK)
22	03E37284S01	SCREW,M2.5 S (WHT)

## Cabinet Assembly Parts List (AV Interface Unit)

NOTE : The part that has not PART NUMBER will not be supplied.

1	-----	COVER, TOP
2	-----	CHAS, BOTTOM
3	07E37209S01	BKT, CONN,
5	03E37206S01	SCR, M2.6X6 MCH(BLK)
6	03E37207S01	SCR, M3X5 TPG-TPT(WHT)
7	03E37208S01	SCR, M3X8 TPG-TPT(BLK)
8	03E33860S01	SCR, M3X6 MCH(BLK)
9	03E09416S01	SCR, M3X8TPG-TPT(BLK)
10	54E37342S01	LABEL, SW